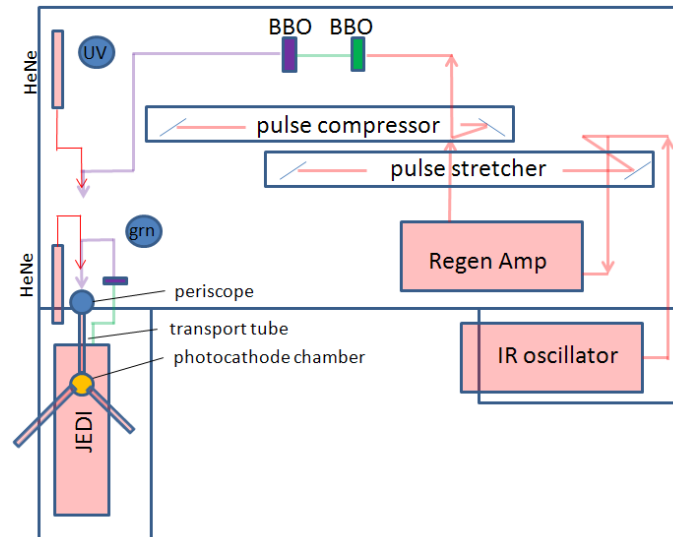
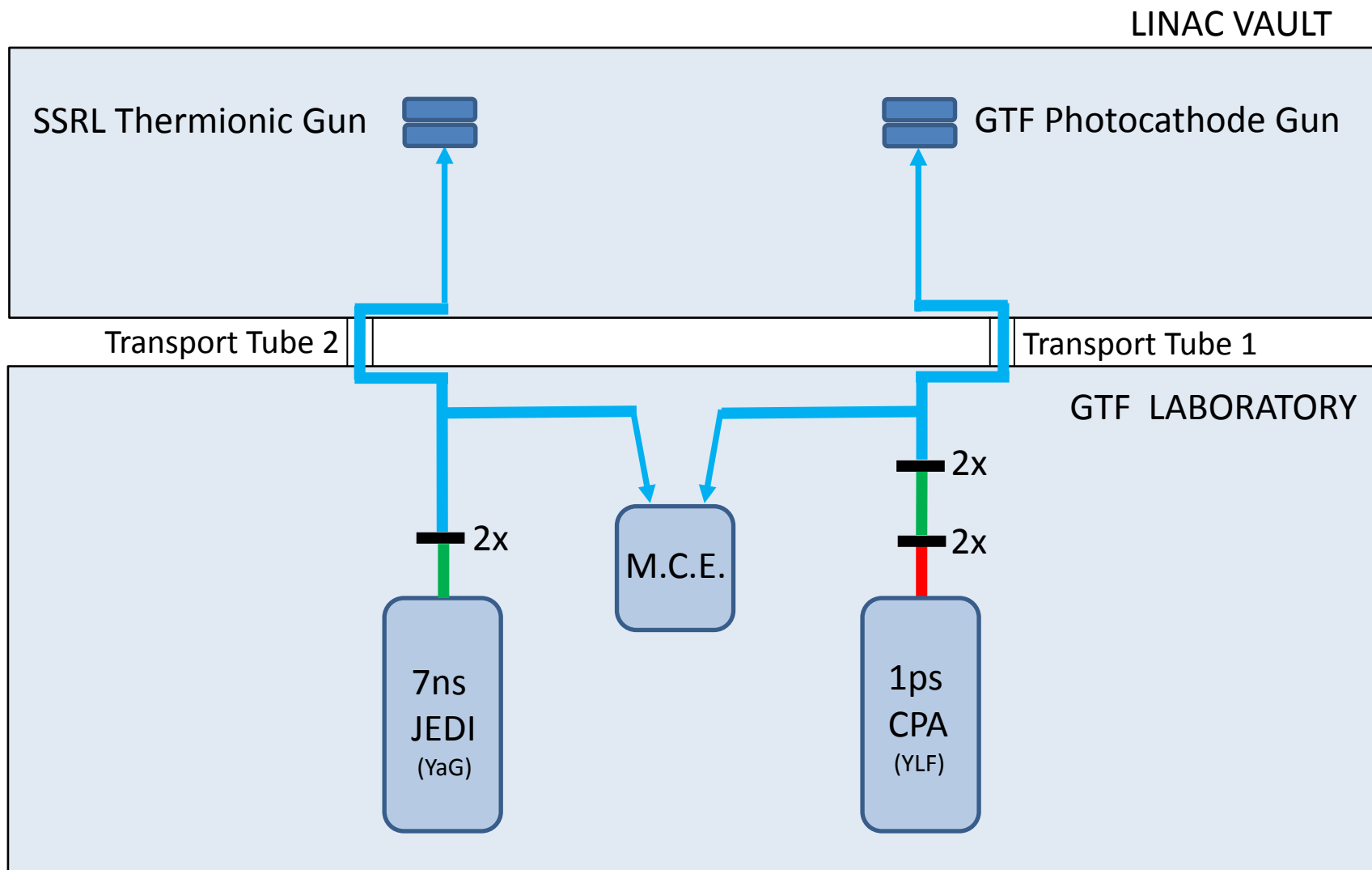


# SSRL GTF Laser System Update

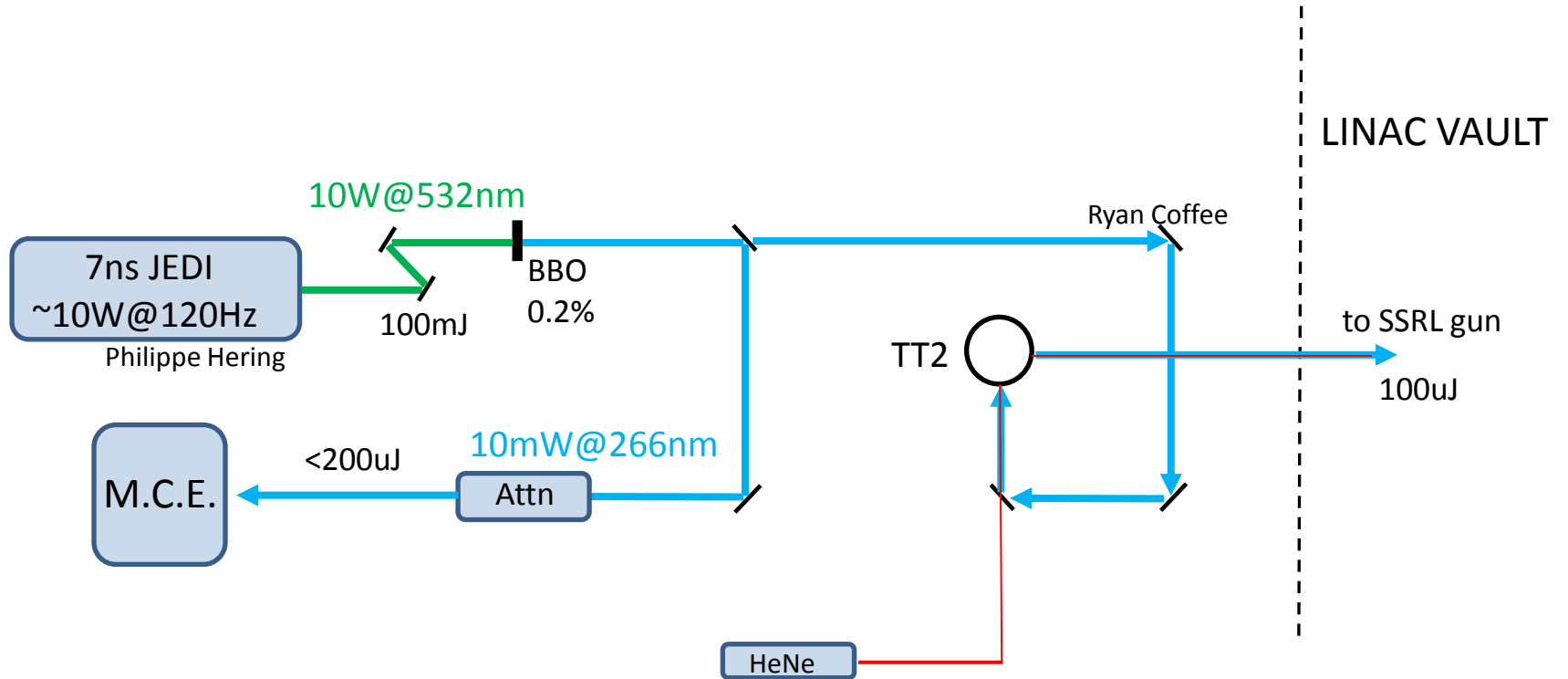
Jeff Corbett  
GTF System Laser Safety Officer  
December 3, 2010



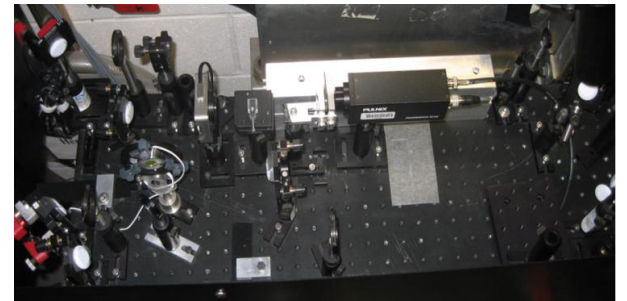
# System Schematic



# JEDI Beamline

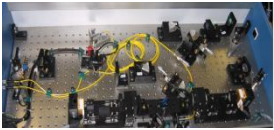


Optical bench before SSRL gun

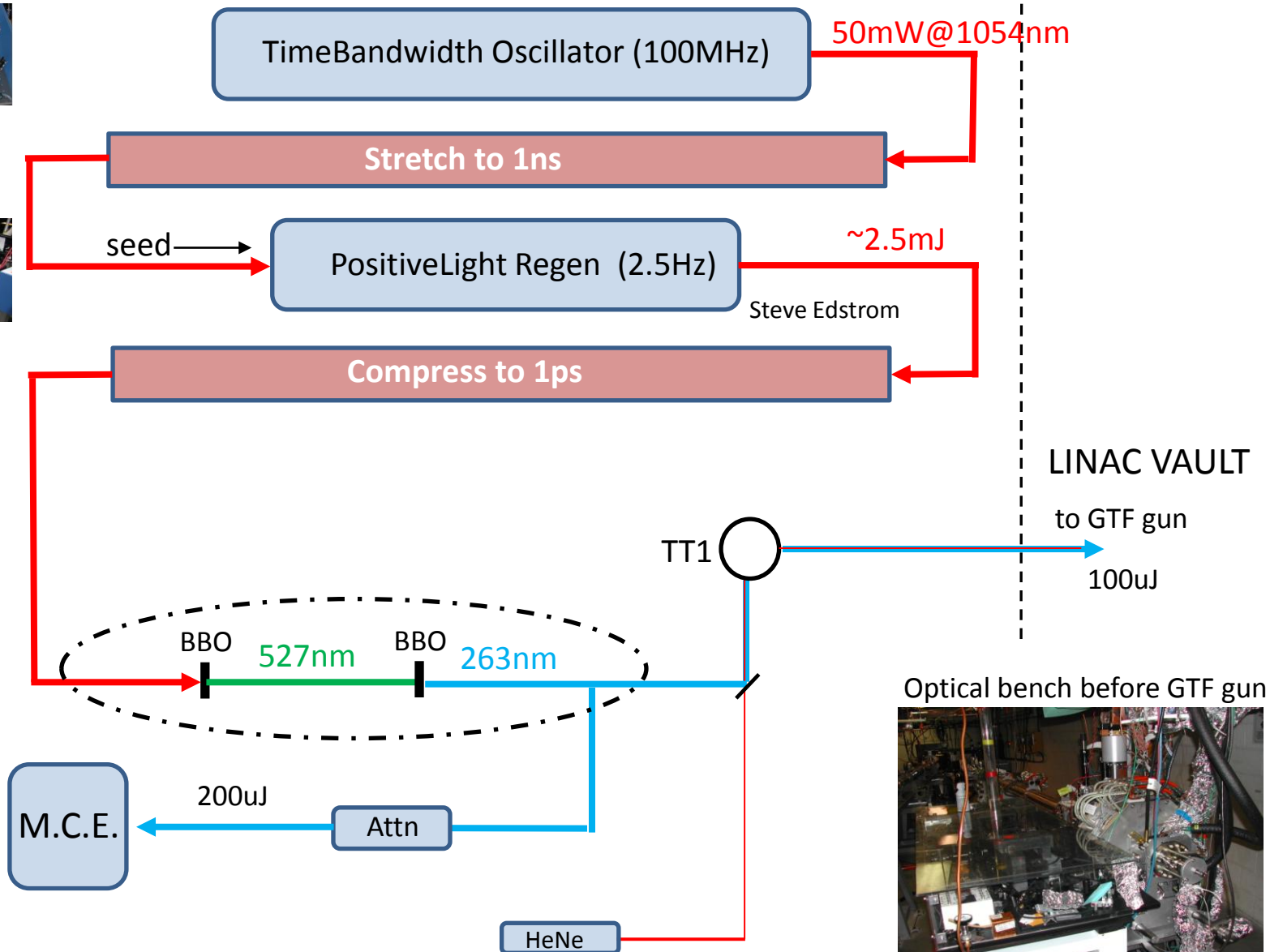
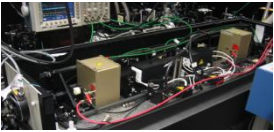


# Oscillator/Regen Beamline

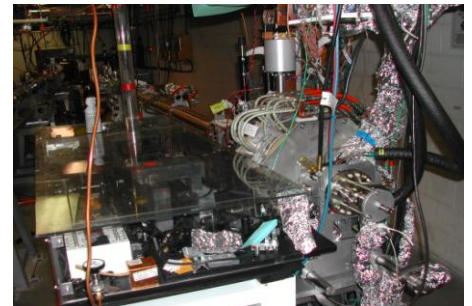
Oscillator



Regen



Optical bench before GTF gun



# Work List

## JEDI Laser

appears to work  
switch to external timing

## Oscillator

needs tune-up  
time to linac MO

## Regen

reasonable output  
time to linac/oscillator

## SHG/THG

construct red/green/blue harmonic beam line  
identify crystals  
diagnostics and attenuation

## Transport lines

JEDI to SSRL gun ok (remote control and diagnostics)  
Regen to GTF needs alignment (remote control and diagnostics)