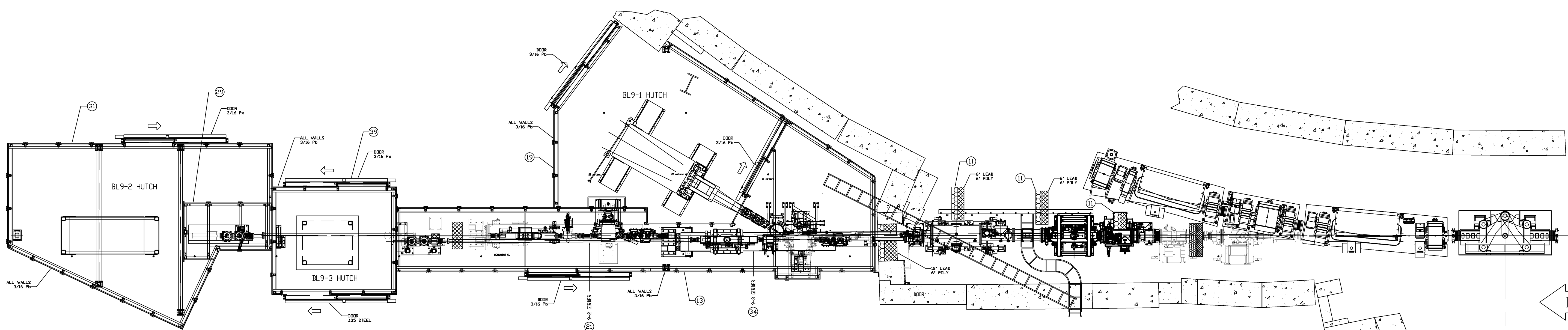
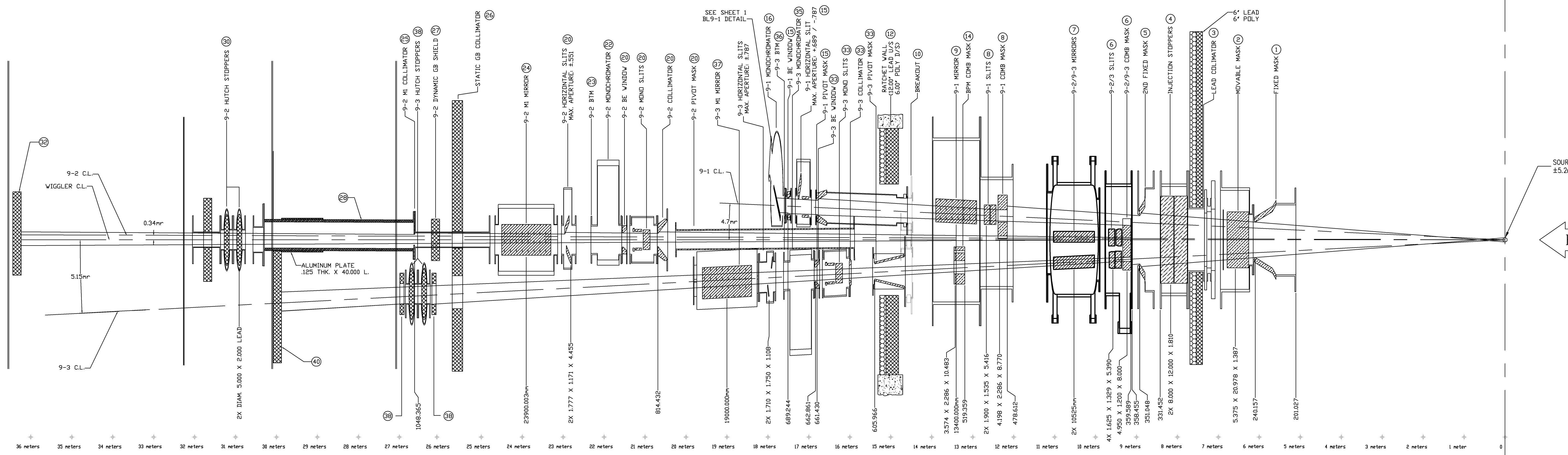


REVISIONS					
REV	DESCRIPTION	DRAWN	CHECKED	APPROVED	DATE
1	ADDED BL9-1 AND BL9-3 PLAN VIEWS, REVISED RAY TRACE	LAL			
2	ADDED SPEAR, BL9-3 HUTCH TABLE AND ITEM NUMBERS	LAL		★	6-20-05
3	ADDED HUTCH BLISTERS, COMB MASK, SLITS AND BEAM STOP TO PLAN VIEW	LAL		★	6-20-05
4	UPDATE BL9 PLAN VIEW ADDED SHEET 2 ADDED ITEM LIST	W LI	6-10-97	★	6-10-97
5	UPDATE BL9 RAY TRACE FOR SPEAR 3	N.S.	11-3-03	A.B.	1-22-04
6	ADDED BL9-2 DETAIL VIEWS FOR SPEAR 3 REVISED/REDRAWN	N.S.	2-5-04	T.R.	2-17-04
7	ADDED BTM DETAIL, PIVOT MASKS 9-1 MONO SCATTER SHIELD, COMPONENT IDENTIFIERS, REVISED NOTES, 9-1 PLAN VIEW	N.S.	10-5-04	T.R.	10-11-04
8	UPDATED DWG FOR SPEAR 3	N.S.	11-23-05	T.R.	11/23/05
9	REVISED 9-2 & 9-3 COMB MASK, SLIT AND MIRROR SYSTEMS	SRW	SRW	TR	11-7-2011
10	RESIZED SOURCES TO REFLECT LATEST PARAMETERS	SRW	SRW	TR	11-7-2011

UOR



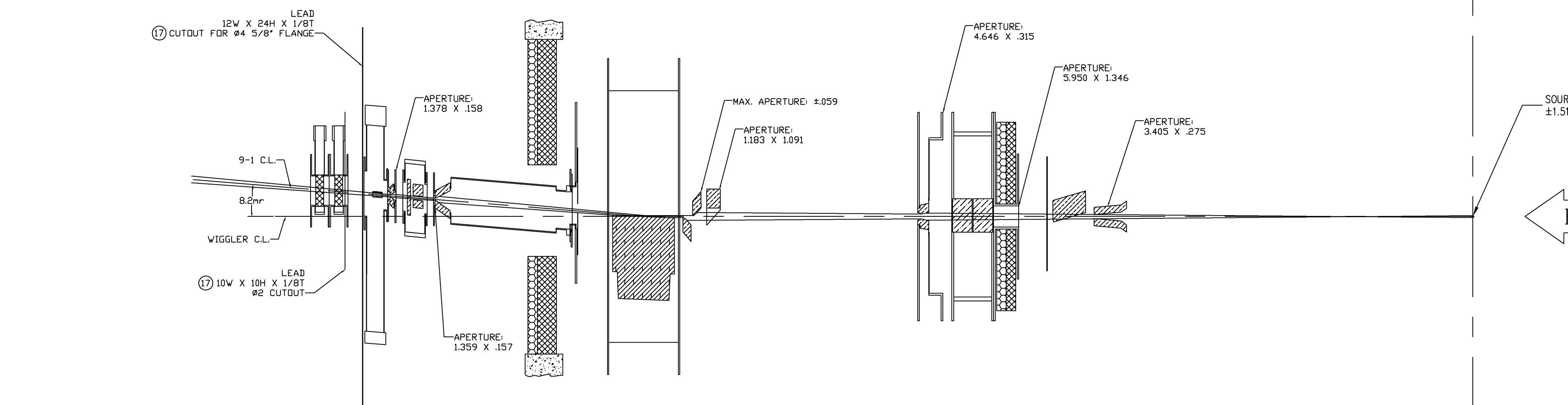
BL9 PLAN VIEW
1:50 SCALE



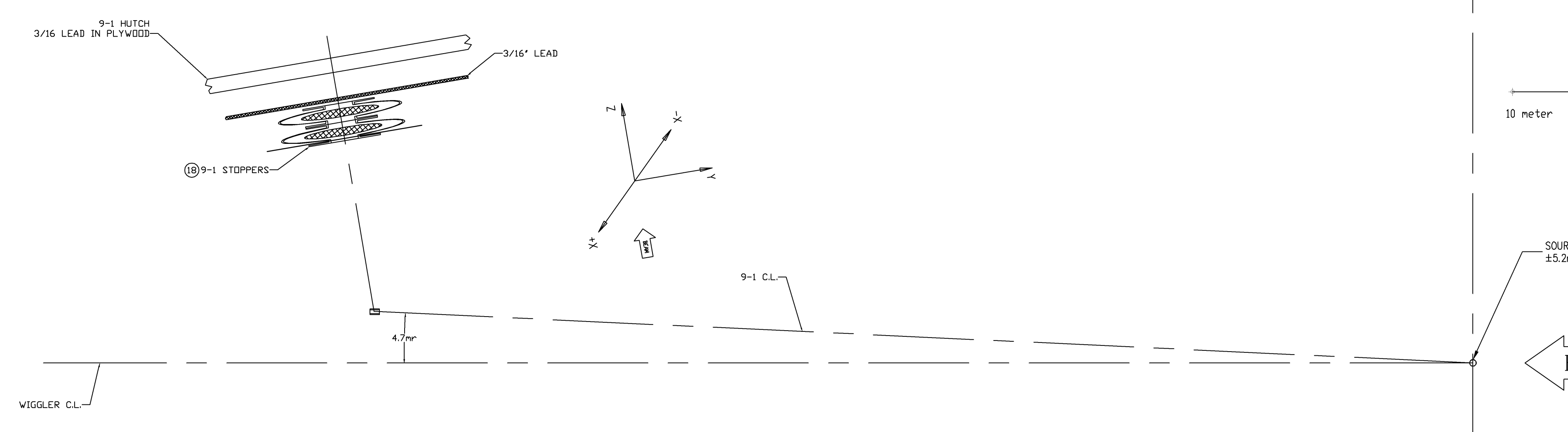
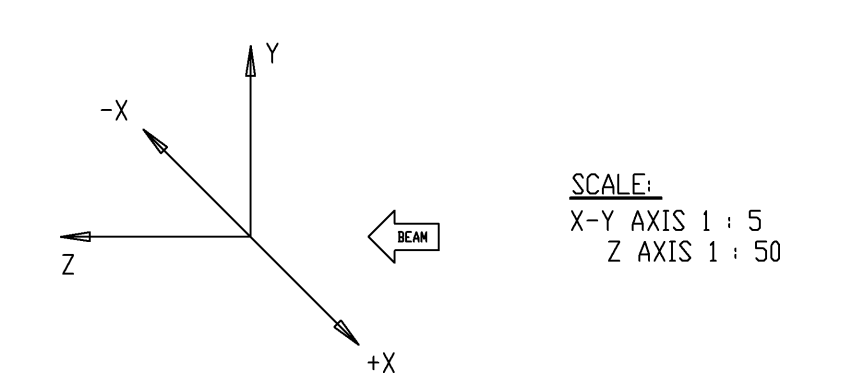
BL9 PLAN VIEW
SYNCHROTRON RADIATION

LEGEND

[Pattern]	LEAD
[Pattern]	COPPER/GLIDCOP
[Pattern]	BERYLLIUM
[Pattern]	CONCRETE
[Pattern]	STEEL
[Pattern]	HEAVY-MET
[Pattern]	SILICON/GLASS
[Pattern]	POLY



BL9-1 ELEVATION
SYNCHROTRON RADIATION



BL9-1 MONO DETAIL PLAN VIEW
SYNCHROTRON RADIATION

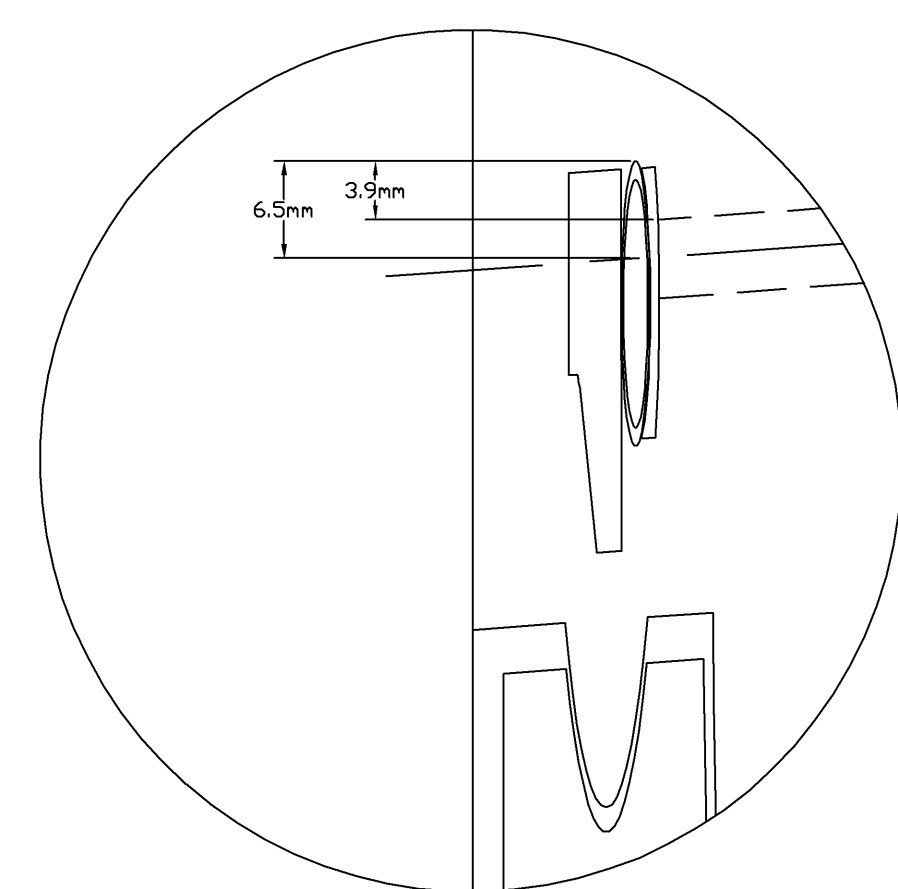
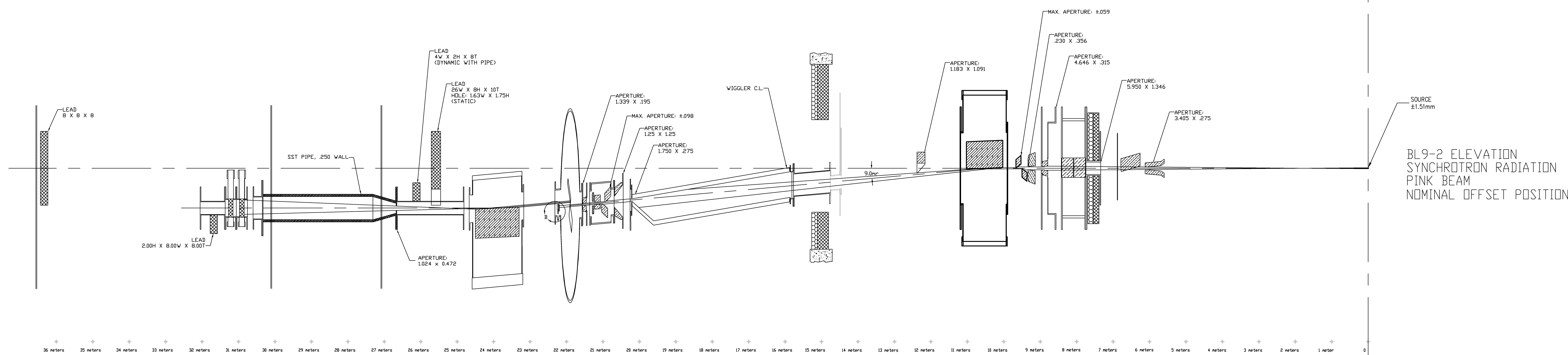
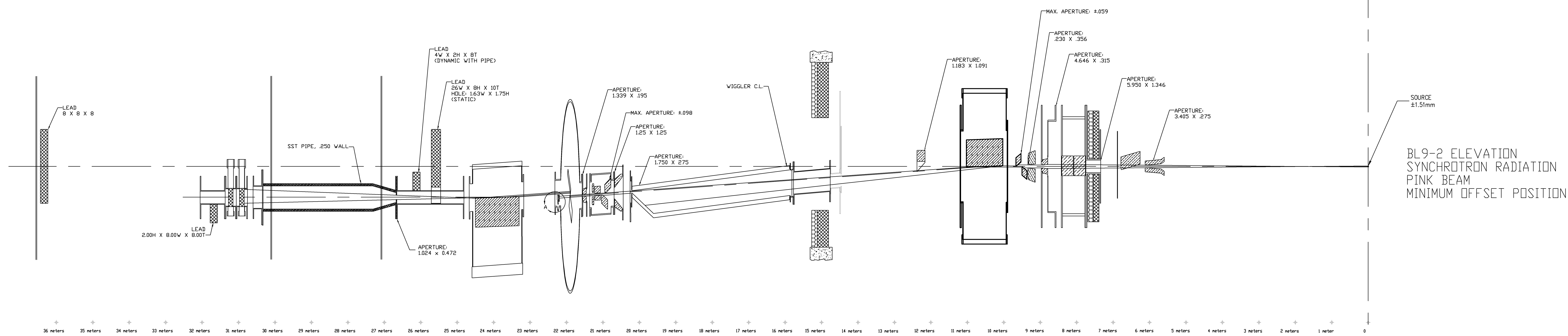
- NOTES:
- SEE AD 441-168-00 FOR BEAM LINE 10th SCALE; SEE GP-451-028-39 FOR IN-ALCOVE SHIELDING. COMPONENT NUMBERS REFER TO BL 9 SHIELDING IMPLEMENTATION ENGINEERING NOTE M527.
 - APERTURE DIMENSIONS ARE IN X, Y, Z ORDER PER BEAMLINE COORDINATE SYSTEM.

DO NOT SCALE DRAWING	CAD NAME: GP-441-169-04-C10-S1.DWG	NEXT ASS'Y:	CODE 2000
STANFORD SYNCHROTRON RADIATION LABORATORY		SSRL - BEAMLINE 9	
STANFORD UNIVERSITY, STANFORD, CALIFORNIA		GENERAL	
UNLESS OTHERWISE NOTED DIM ARE IN INCHES		BL9	
TELEANCES: .XXX +/- .005 ANGLES: .XX +/- .01		BL9 RAY TRACE	
ENGR: [Signature]		GP 441-169-04 C10	
DFTS: [Signature]		SCALE: 1/50	
CHKD: [Signature]		SHEET 1 OF 6	

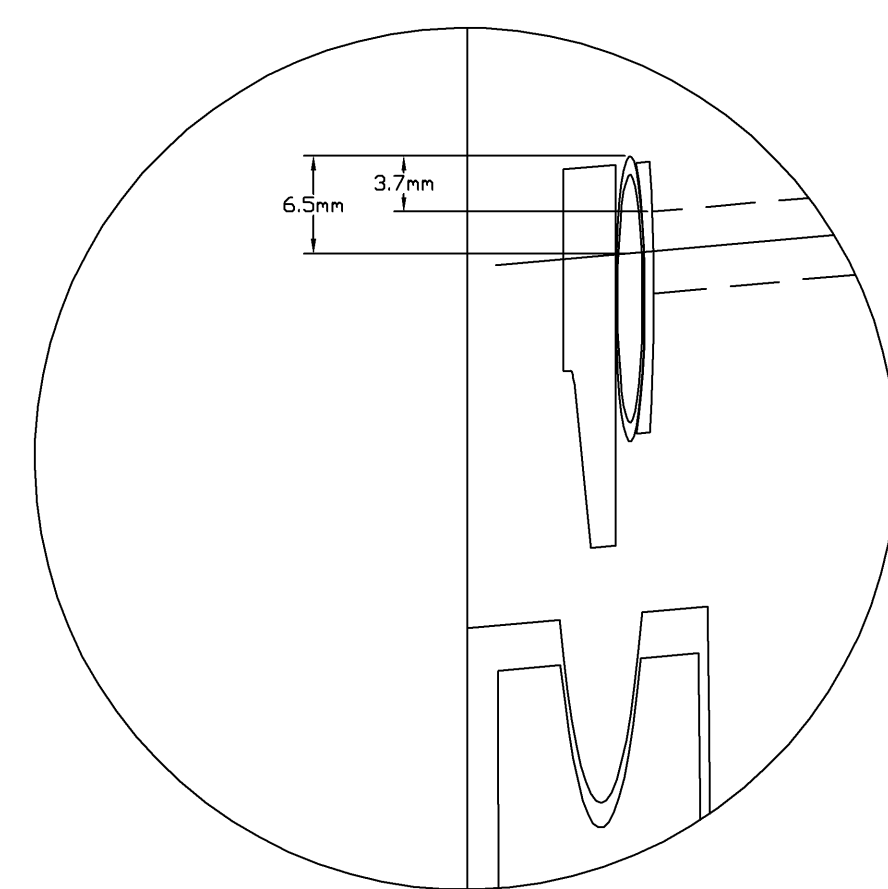
GP 441-169-04 E

REVISIONS					
REV	DESCRIPTION	DRAWN	CHECKED	APPROVED	DATE
SEE SHEET 1 FOR REVISION HISTORY					

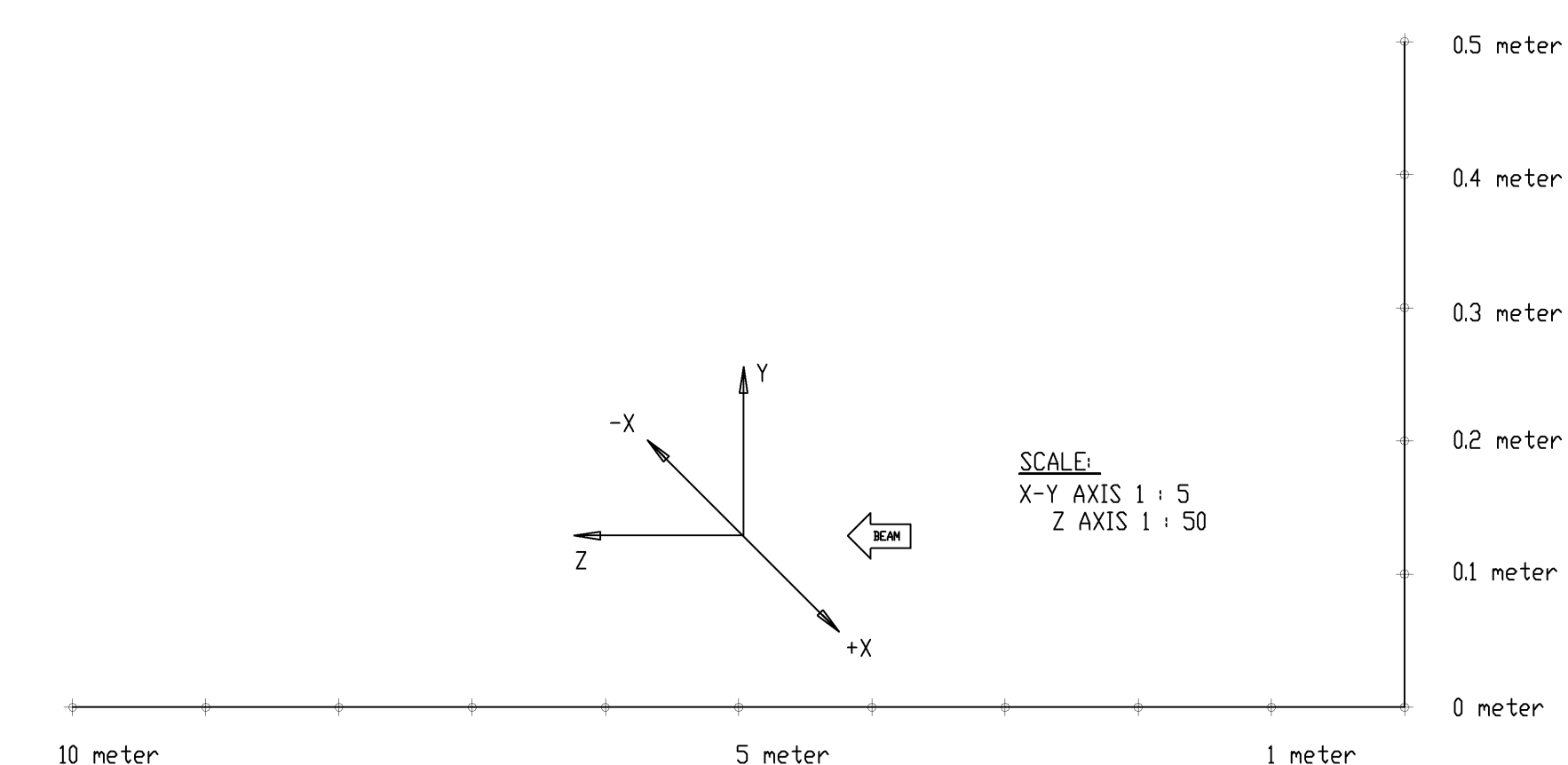
LEGEND	
	LEAD
	COPPER/GLUDCOP
	BERYLLIUM
	CONCRETE
	STEEL
	HEAVY-MET
	SILICON/GLASS
	POLY



DETAIL A
SCALE: 2/1
9-2 MINIMUM OFFSET POSITION

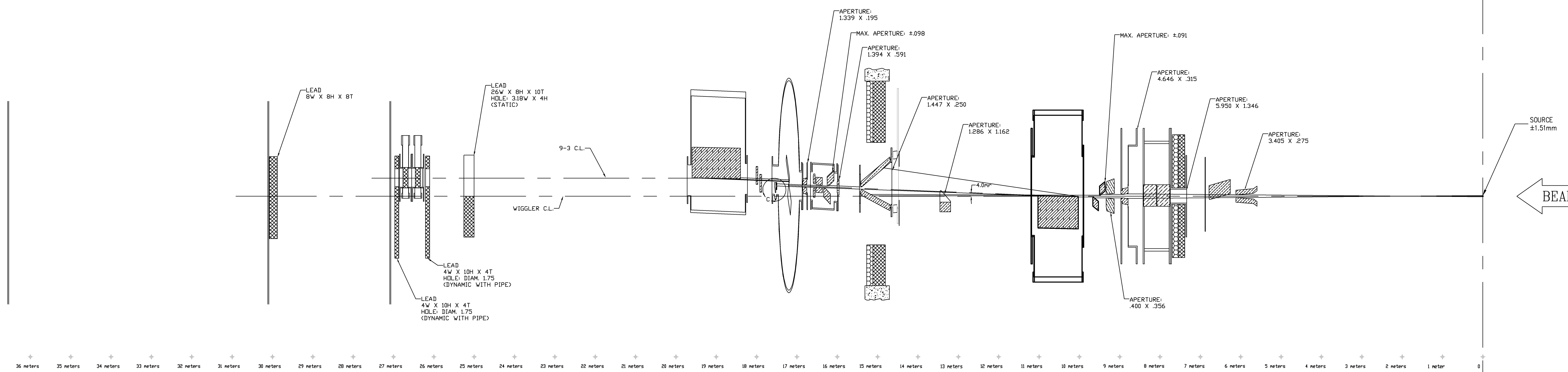


DETAIL B
SCALE: 2/1
9-2 NOMINAL OFFSET POSITION



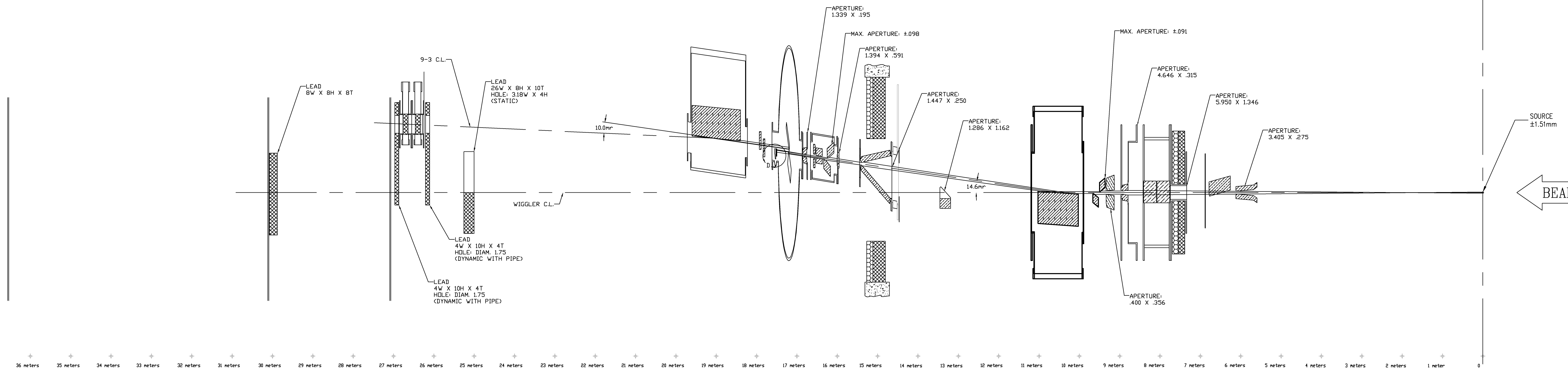
DO NOT SCALE DRAWING	CAD NAME: GP-441-169-04-C10-S1.DWG	NEXT ASS'Y:	CODE 2000
STANFORD SYNCHROTRON RADIATION LABORATORY		SSRL - BEAMLINE 9	
STANFORD UNIVERSITY		GENERAL	
STANFORD, CALIFORNIA		BL9	
UNLESS OTHERWISE NOTED DIM. ARE IN INCHES		BL9 RAY TRACE	
TOLERANCES: .XXX ± .005 ANGLES .XX ± .01 °		GP 441-169-04 C10	
ALL SURFACES ✓		SCALE: 1/50 SHEET 2 OF 6	

REVISIONS					
REV	DESCRIPTION	DRAWN	CHECKED	APPROVED	DATE
SEE SHEET 1 FOR REVISION HISTORY					

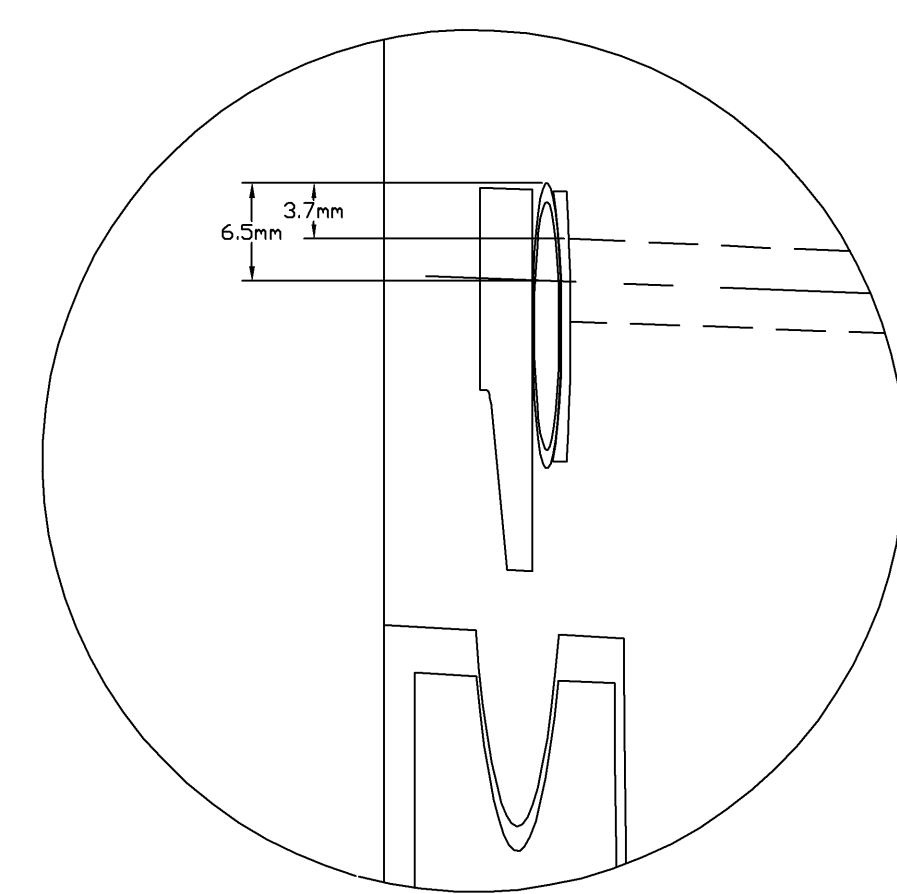


BL9-3 ELEVATION
SYNCHROTRON RADIATION
PINK BEAM
MINIMUM OFFSET POSITION

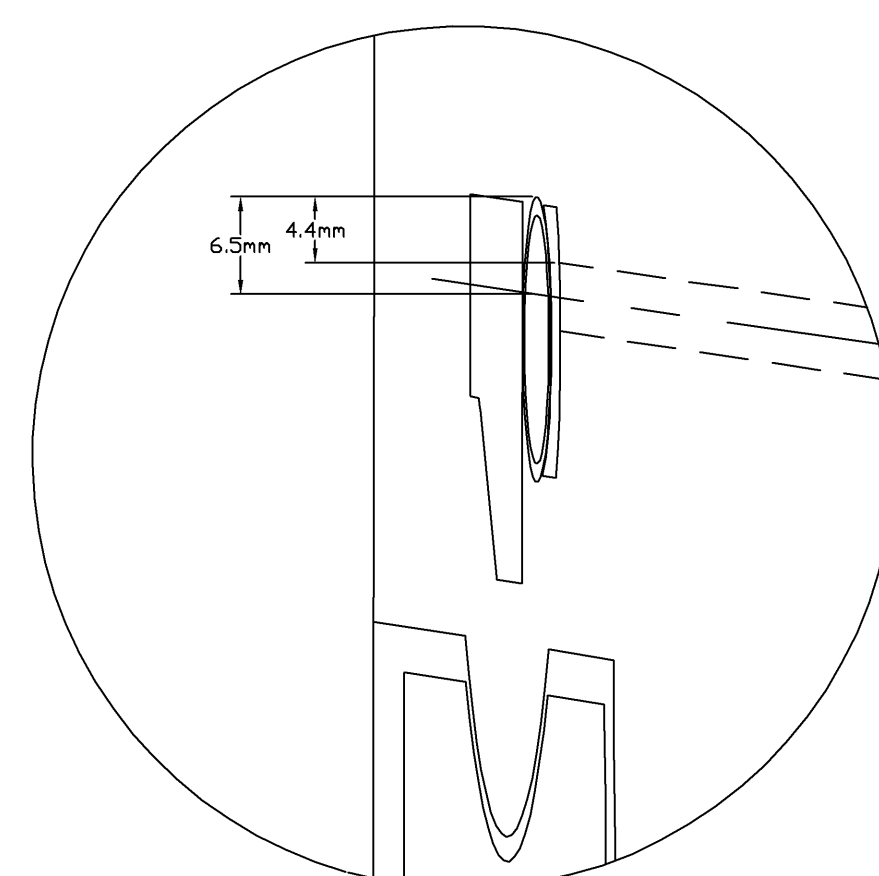
LEGEND	
	LEAD
	COPPER/GLUDCOP
	BERYLLIUM
	CONCRETE
	STEEL
	HEAVY-MET
	SILICON/GLASS
	POLY



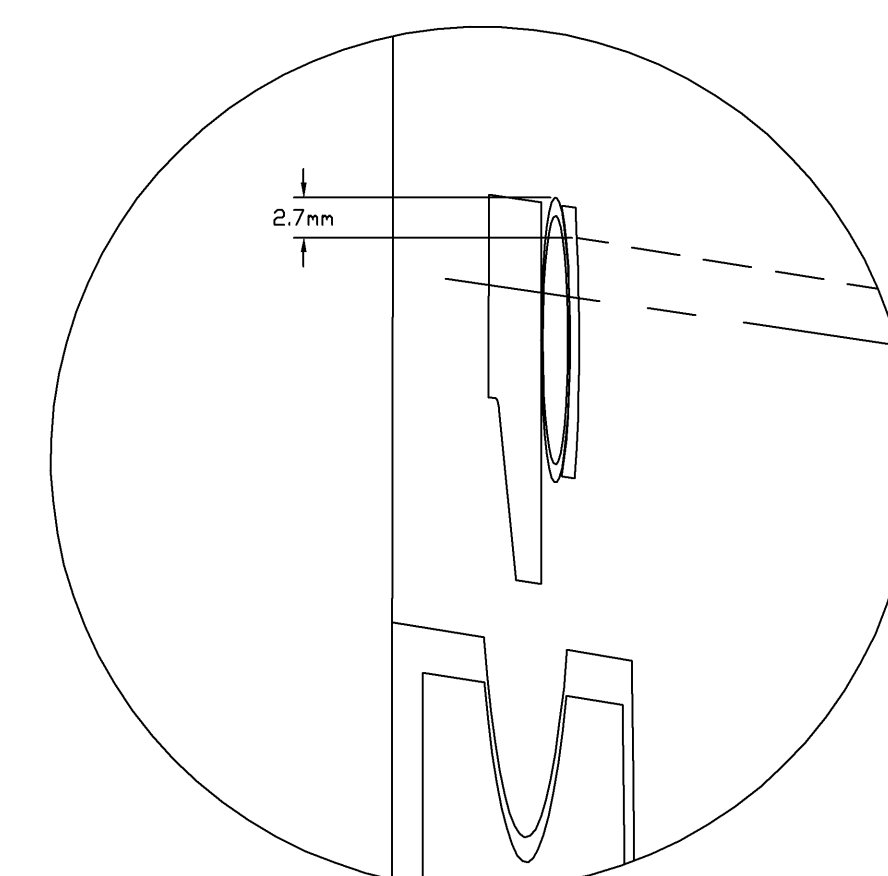
BL9-3 ELEVATION
SYNCHROTRON RADIATION
PINK BEAM
MAXIMUM OFFSET POSITION



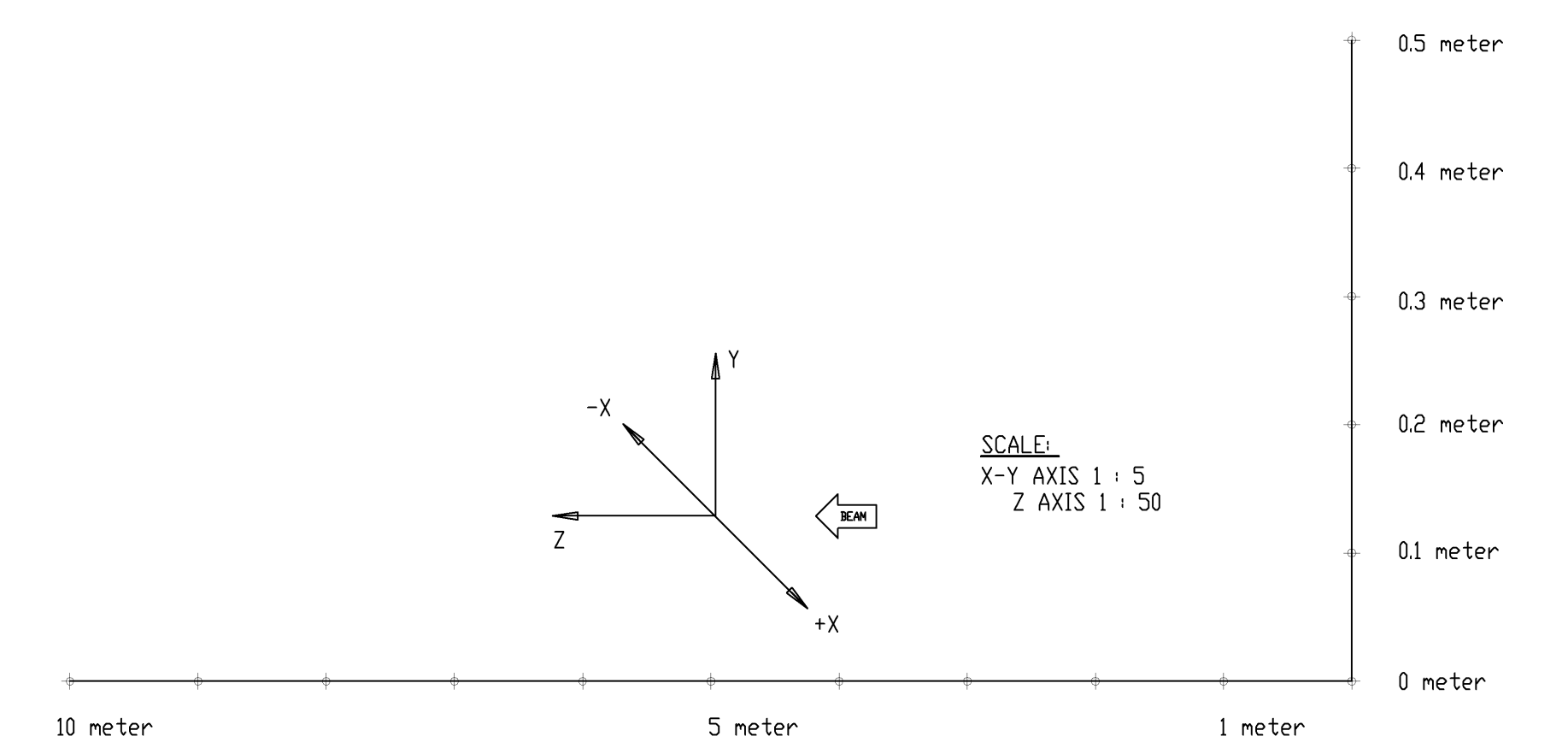
DETAIL C
SCALE: 2/1
9-3 MINIMUM OFFSET POSITION



DETAIL D
SCALE: 2/1
9-3 MAXIMUM OFFSET POSITION



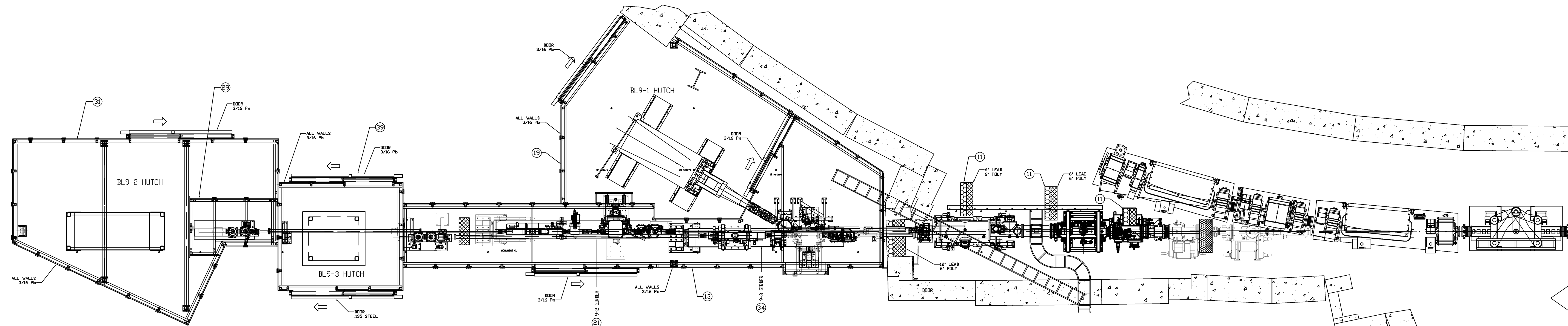
DETAIL
SCALE: 2/1
9-3 MAXIMUM OFFSET POSITION
ZERO POWER



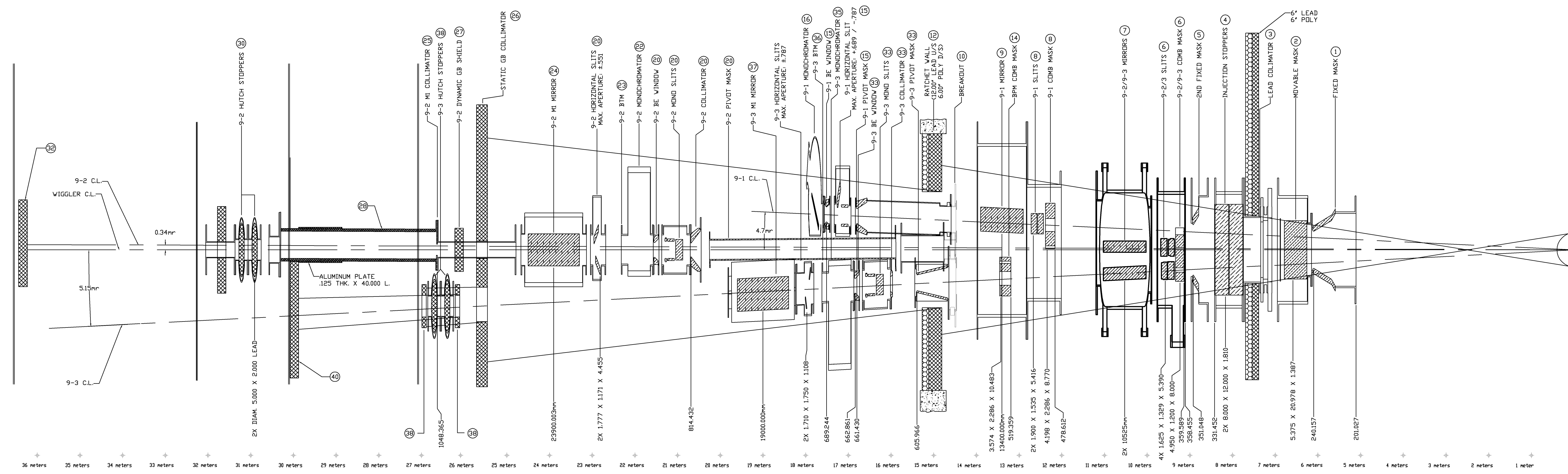
DO NOT SCALE DRAWING	CAD NAME: GP-441-169-04-C10-S1.DWG	NEXT ASS'Y:	CODE 2000
STANFORD SYNCHROTRON RADIATION LABORATORY		SSRL - BEAMLINE 9	
STANFORD UNIVERSITY		GENERAL	
UNLESS OTHERWISE NOTED DIM. ARE IN INCHES		BL9	
TOLERANCES:		BL9 RAY TRACE	
.XXX ± .005 ANGLES		GP 441-169-04 C10	
.XX ± .01 ± ±		C10	
.X ± ±		SHEET 3 OF 6	
ALL SURFACES ✓		SCALE: 1/50	

REVISIONS		DRAWN	CHECKED	APPROVED	DATE
REV	DESCRIPTION				

SEE SHEET 1 FOR REVISION HISTORY



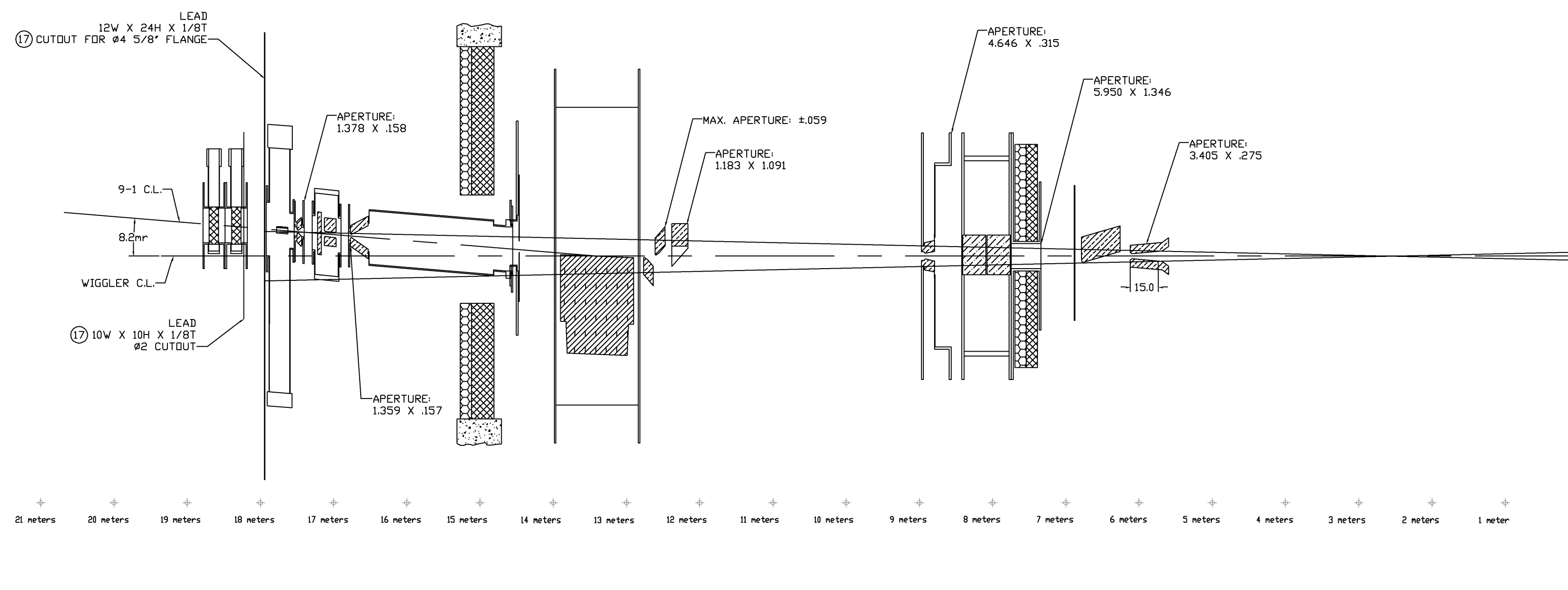
← BEAM
BL9 PLAN VIEW
1:50 SCALE



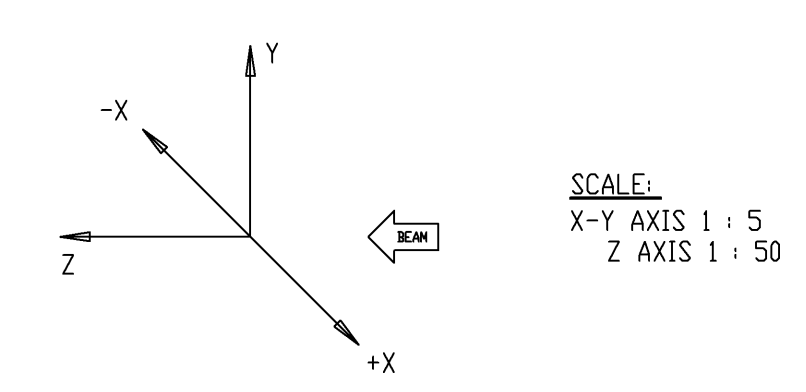
← BEAM
BL9 PLAN VIEW
BREMSSTRAHLUNG

LEGEND

[Pattern]	LEAD
[Pattern]	COPPER/GLIDCOP
[Pattern]	BERYLLIUM
[Pattern]	CONCRETE
[Pattern]	STEEL
[Pattern]	HEAVY-MET
[Pattern]	SILICON/GLASS
[Pattern]	POLY



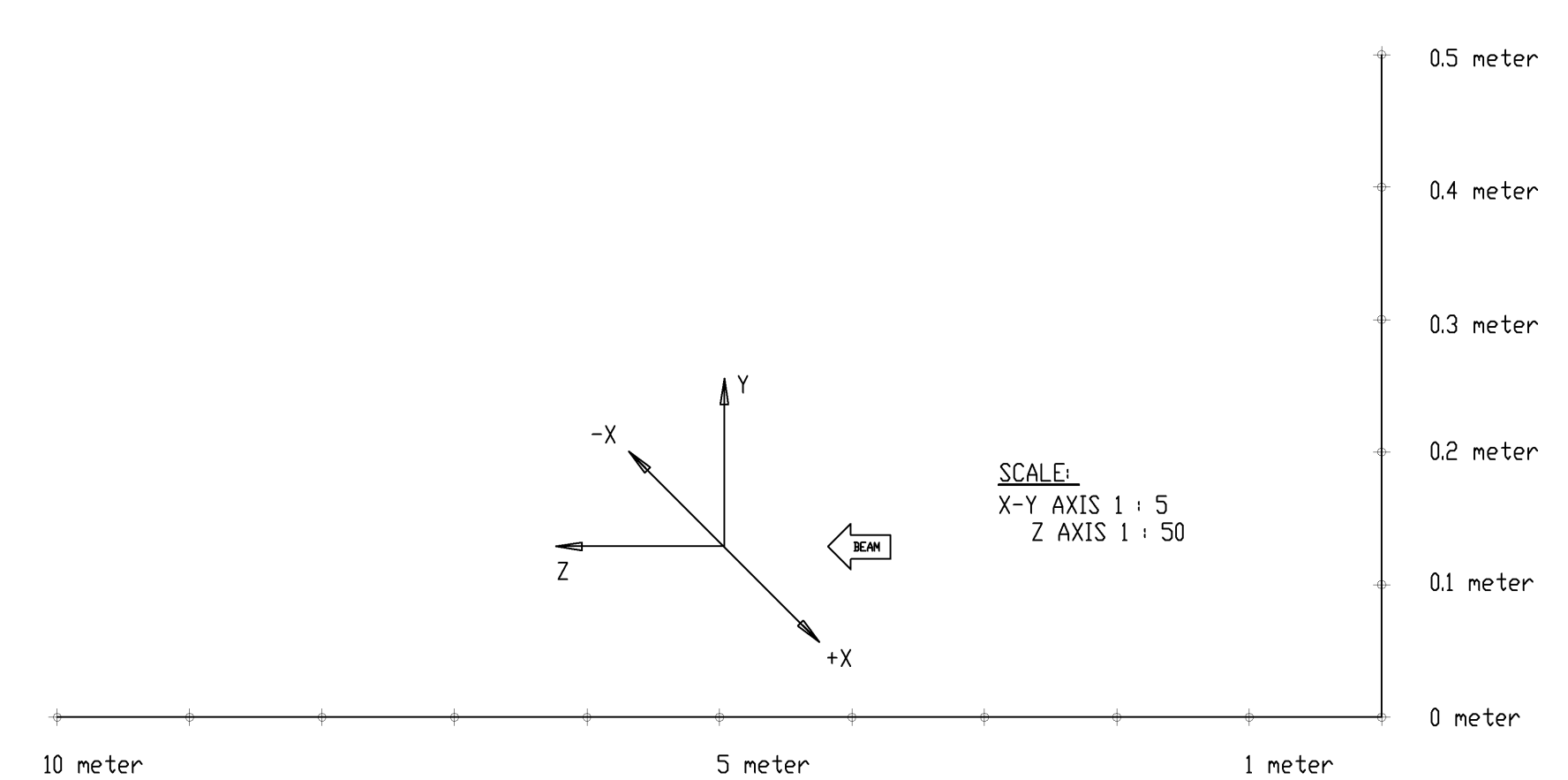
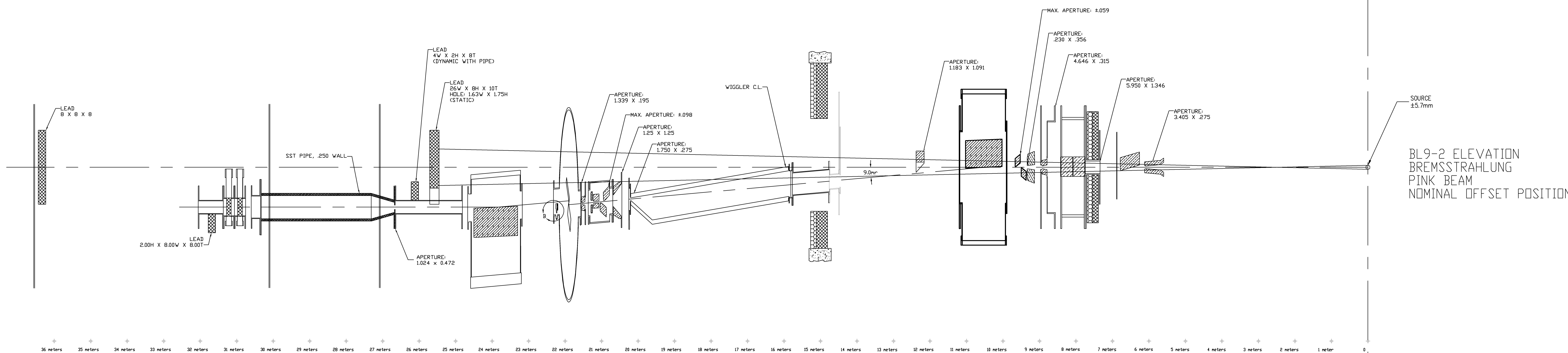
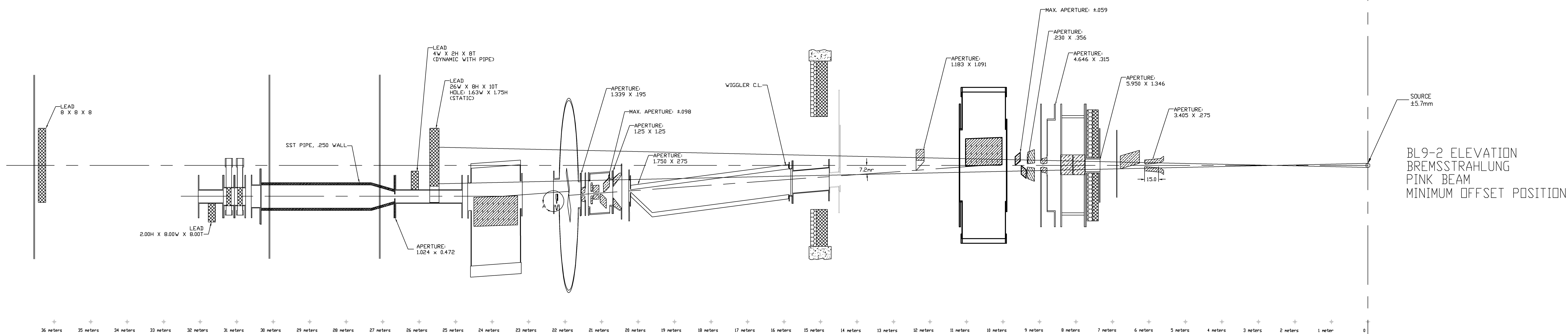
← BEAM
BL9-1 ELEVATION
BREMSSTRAHLUNG



DO NOT SCALE DRAWING	CAD NAME: GP-441-169-04-C10-S1.DWG	NEXT ASS'Y:	CODE 2000
STANFORD SYNCHROTRON RADIATION LABORATORY		SSRL - BEAMLINE 9	
STANFORD UNIVERSITY		STANFORD, CALIFORNIA	
UNLESS OTHERWISE NOTED DIMS ARE IN INCHES		TOLERANCES: XXX ± .005 ANGLES .XX ± .01 ± X ±	
ENGR: [Signature]		DRYTS: [Signature]	
CHKD: [Signature]		SCALE: 1/50	
SHEET 4 OF 6		C10	

REVISIONS		DRAWN	CHECKED	APPROVED	DATE
REV	DESCRIPTION				

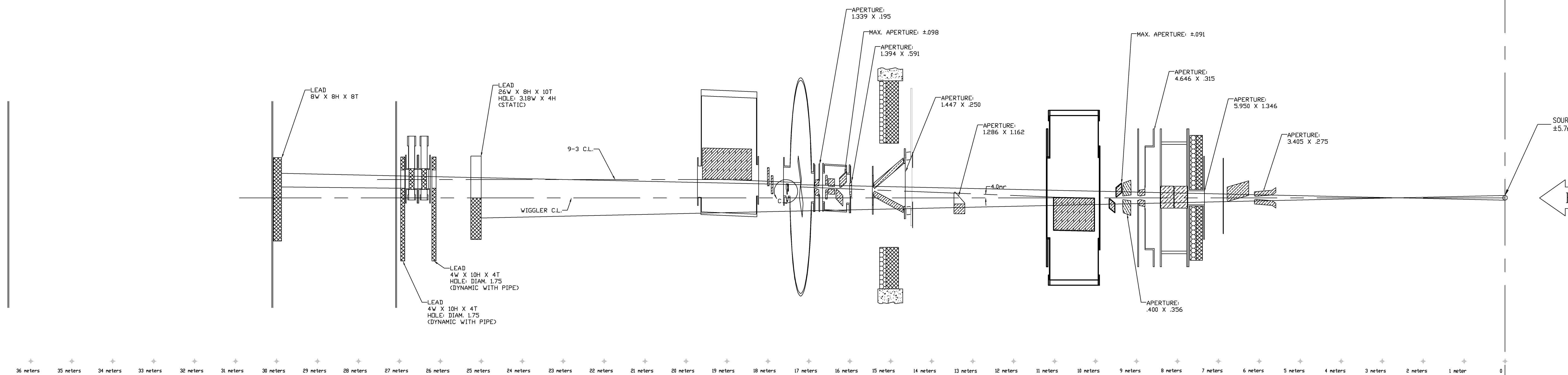
SEE SHEET 1 FOR REVISION HISTORY



DO NOT SCALE DRAWING	CAD NAME: GP-441-169-04-C10-S1.DWG	NEXT ASS'Y:	CODE 2000
STANFORD SYNCHROTRON RADIATION LABORATORY		SSRL - BEAMLINE 9	
STANFORD UNIVERSITY		GENERAL	
		BL9	
		BL9 RAY TRACE	
		GP 441-169-04 C10	
		SHEET 5 OF 6	

GP 441-169-04 E

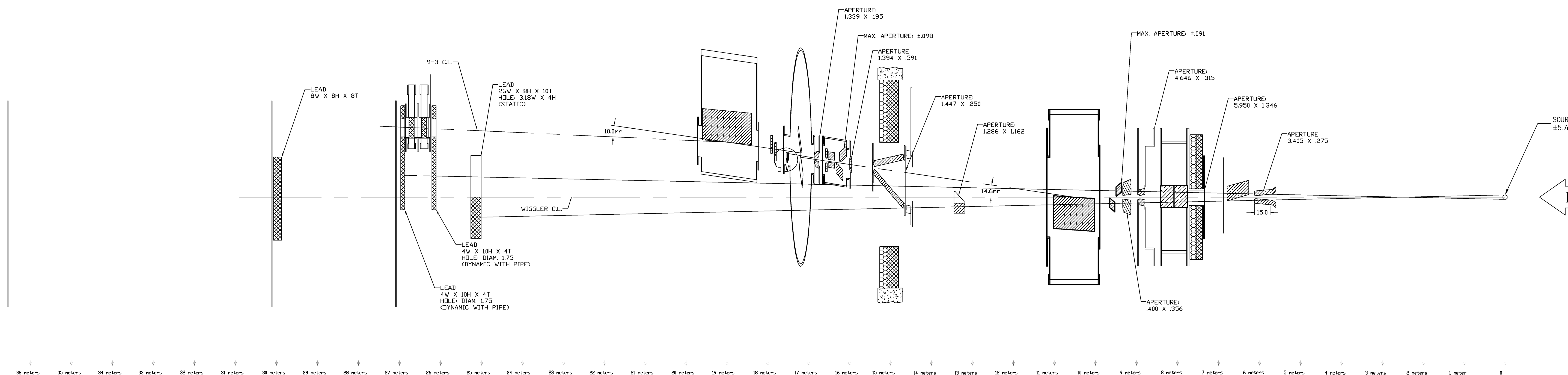
REVISIONS				
REV	DESCRIPTION	DRAWN	CHECKED	APPROVED
SEE SHEET 1 FOR REVISION HISTORY				



36 meters 35 meters 34 meters 33 meters 32 meters 31 meters 30 meters 29 meters 28 meters 27 meters 26 meters 25 meters 24 meters 23 meters 22 meters 21 meters 20 meters 19 meters 18 meters 17 meters 16 meters 15 meters 14 meters 13 meters 12 meters 11 meters 10 meters 9 meters 8 meters 7 meters 6 meters 5 meters 4 meters 3 meters 2 meters 1 meter 0

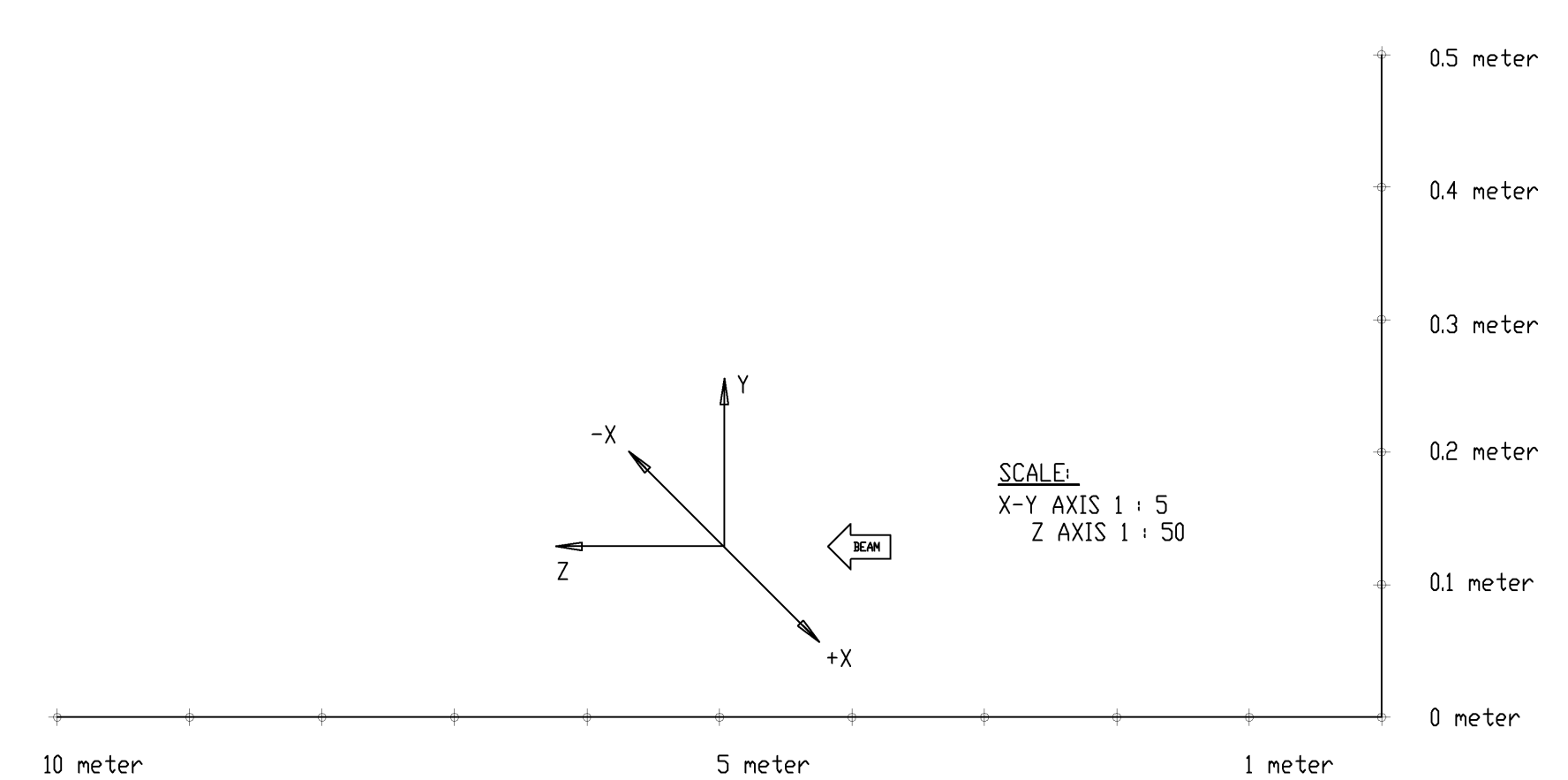
BL9-3 ELEVATION
 BREMSSTRAHLUNG
 PINK BEAM
 MINIMUM OFFSET POSITION

LEGEND	
	LEAD
	COPPER/GLUDCOP
	BERYLLIUM
	CONCRETE
	STEEL
	HEAVY-MET
	SILICON/GLASS
	POLY



36 meters 35 meters 34 meters 33 meters 32 meters 31 meters 30 meters 29 meters 28 meters 27 meters 26 meters 25 meters 24 meters 23 meters 22 meters 21 meters 20 meters 19 meters 18 meters 17 meters 16 meters 15 meters 14 meters 13 meters 12 meters 11 meters 10 meters 9 meters 8 meters 7 meters 6 meters 5 meters 4 meters 3 meters 2 meters 1 meter 0

BL9-3 ELEVATION
 BREMSSTRAHLUNG
 PINK BEAM
 MAXIMUM OFFSET POSITION



DO NOT SCALE DRAWING	CAD NAME: GP-441-169-04-C10-S1.DWG	NEXT ASS'Y:	CODE 2000
STANFORD SYNCHROTRON RADIATION LABORATORY		SSRL - BEAMLINE 9	
STANFORD UNIVERSITY		GENERAL	
		BL9	
		BL9 RAY TRACE	
		GP 441-169-04 C10	
		SHEET 6 OF 6	

GP 441-169-04 E