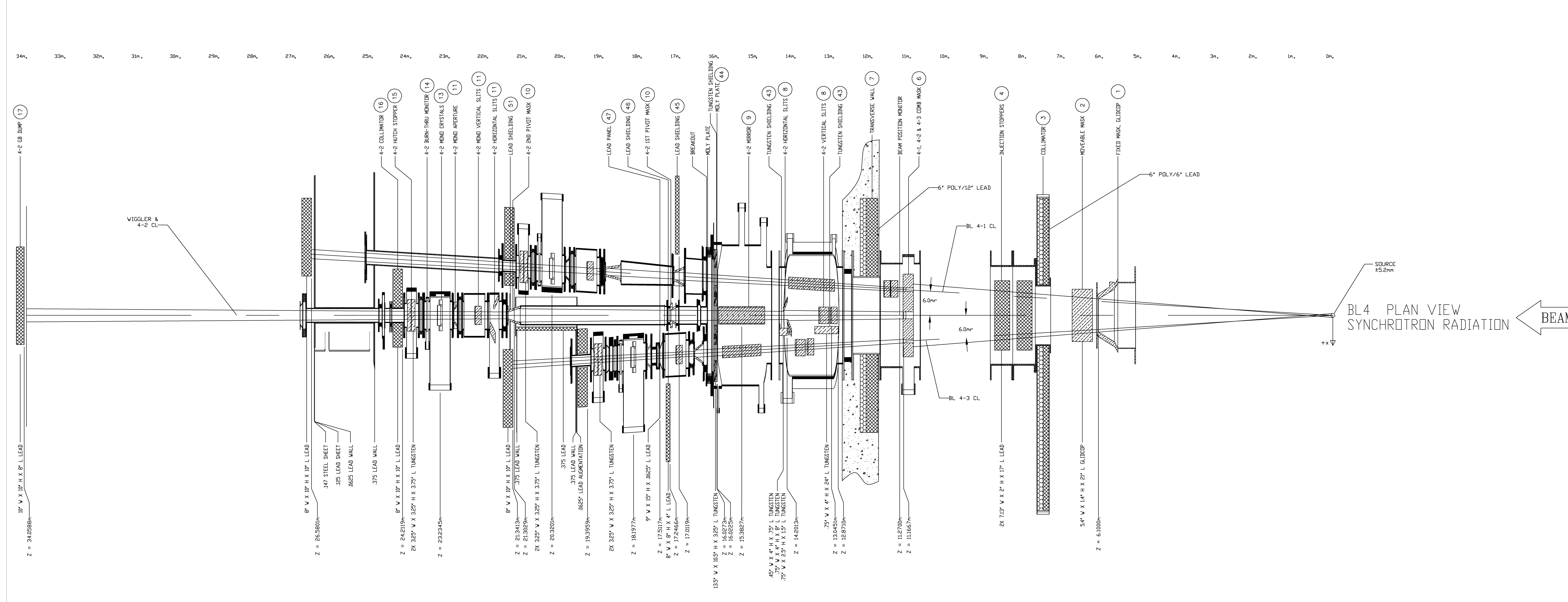
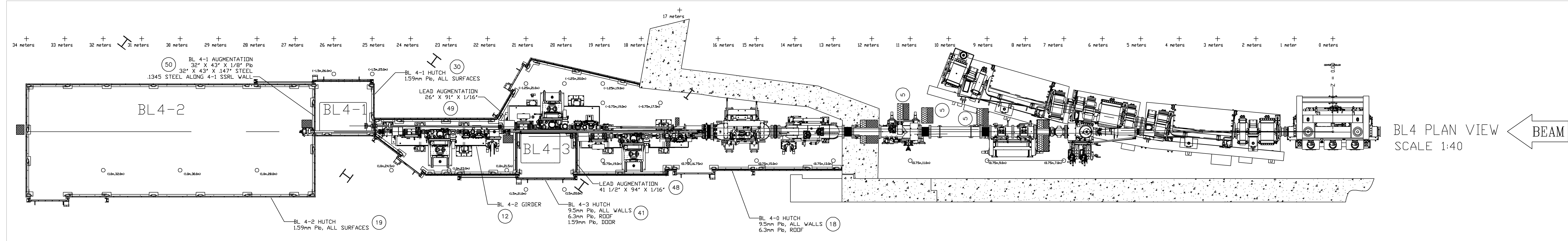
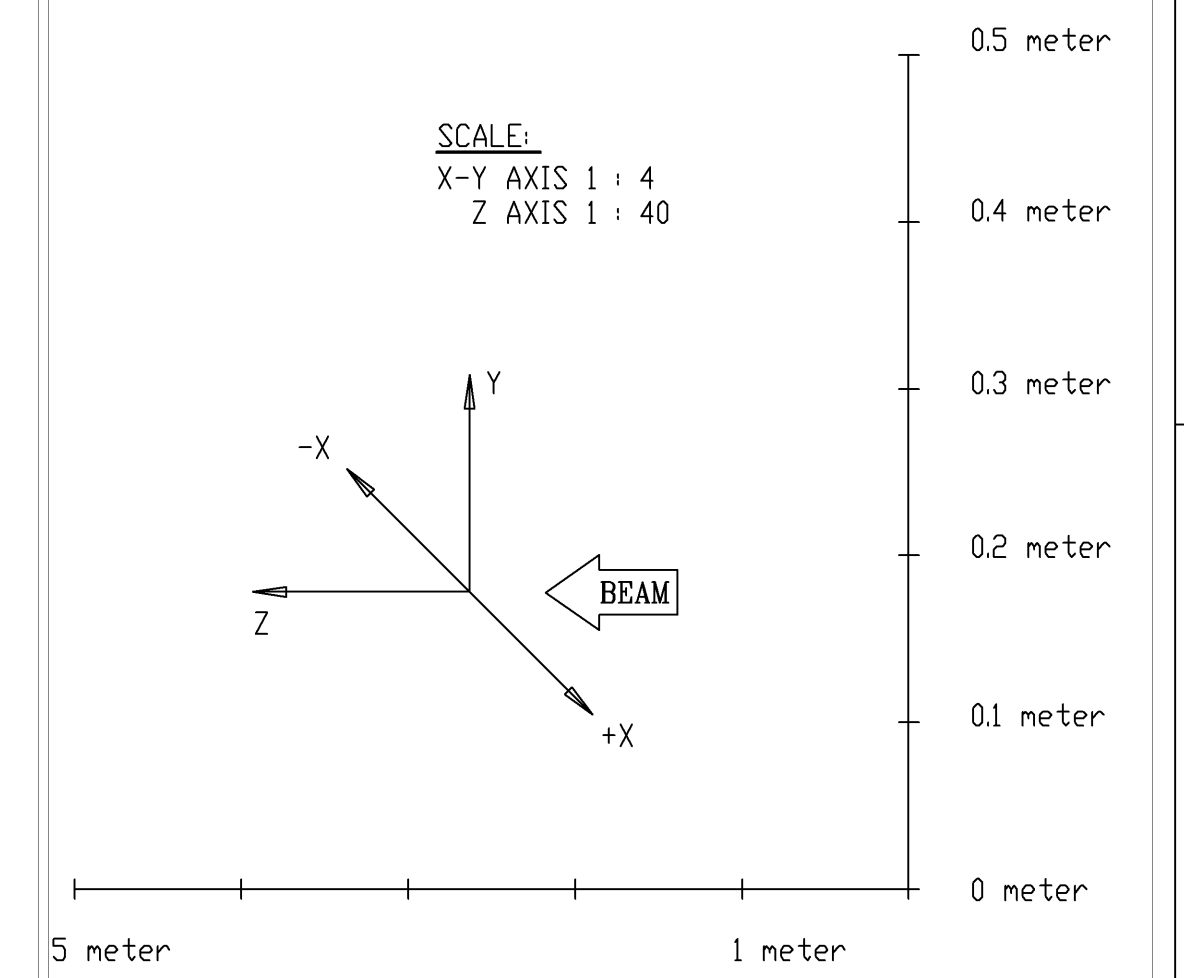


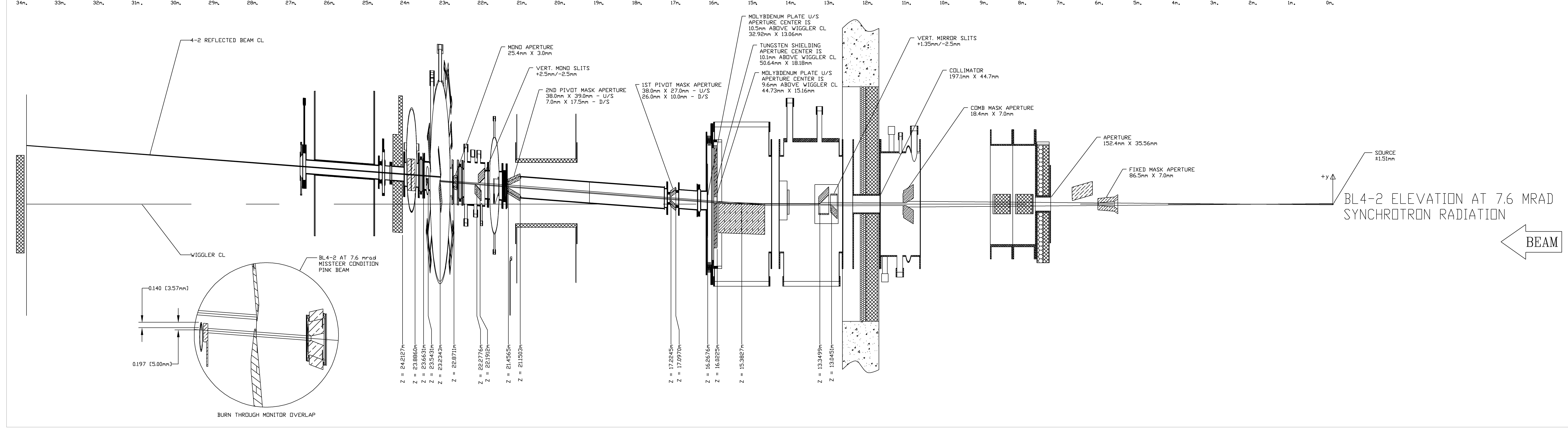
REV	DESCRIPTION	DRAWN	CHECKED	APPROVED	DATE
1	CHANGED 4-3 CO COLLIMATOR	SPM	AB	DC	09-17-08
2	RELOCATED SHADOW WALL TO 10.5M, ADDED ITEM 51	RMP	TR	TR	01/20/09
3	REFORMATTED, ADDED NOTE 2	SPM	TR	TR	09/14/2018



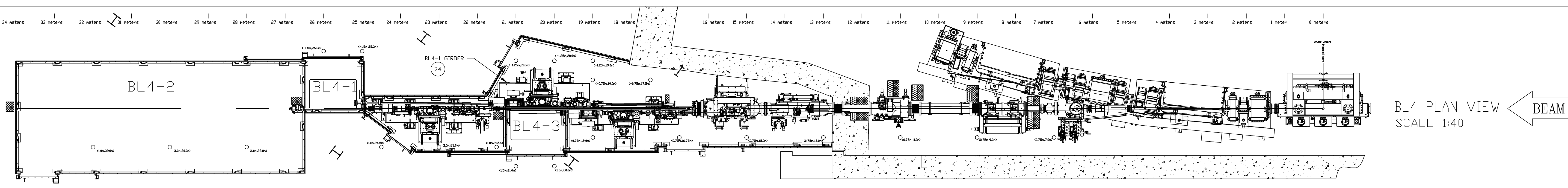
LEGEND	
[Pattern]	LEAD
[Pattern]	COPPER/GLIDCOP
[Pattern]	BERYLLIUM
[Pattern]	CONCRETE
[Pattern]	STEEL
[Pattern]	HEAVY-MET
[Pattern]	SILICON/GLASS
[Pattern]	POLY



- NOTES:
- SEE AD 441-016-00 FOR BEAM LINE 10th SCALE. SEE GP 451-078-97 FOR IN-ALCOVE SHIELDING. SEE SSRLL ENGINEERING NOTE M481 FOR SHIELDING IMPLEMENTATION NOTES. SEE SPEAR SHIELDING ENGINEERING NOTE M566 FOR SPEAR SHIELDING. SEE ID-451-068-86 FOR LOCAL SHIELDING.
 - APERTURE DIMENSIONS ARE IN X, Y, Z ORDER PER BEAMLINE COORDINATE SYSTEM.



STANFORD SYNCHROTRON RADIATION LABORATORY <small>PROPRIETARY DATA OF STANFORD UNIVERSITY AND/OR U.S. DEPARTMENT OF ENERGY. RECEIPT SHALL NOT PUBLISH THE INFORMATION WITHIN UNLESS GRANTED SPECIFIC PERMISSION OF STANFORD UNIVERSITY.</small> SLAC STANFORD UNIVERSITY STANFORD, CALIFORNIA	FILE NAME: gp-451-078-49-c3-s1.dwg SSRLL BEAMLINE 4 GENERAL BL4 BL4 RAY TRACE CODE: 2000 SCALE: AS SHOWN SHEET 1 OF 8 GP 451-078-49 C3
	UNLESS OTHERWISE NOTED: DO NOT SCALE DRAWING DIMENSIONS IN: INCHES TOLERANCES: XXX ± 0.005 XX ± 0.01 X ± 0.1 DRFTS: S. WEAVER CHKD: E. BERNASCO

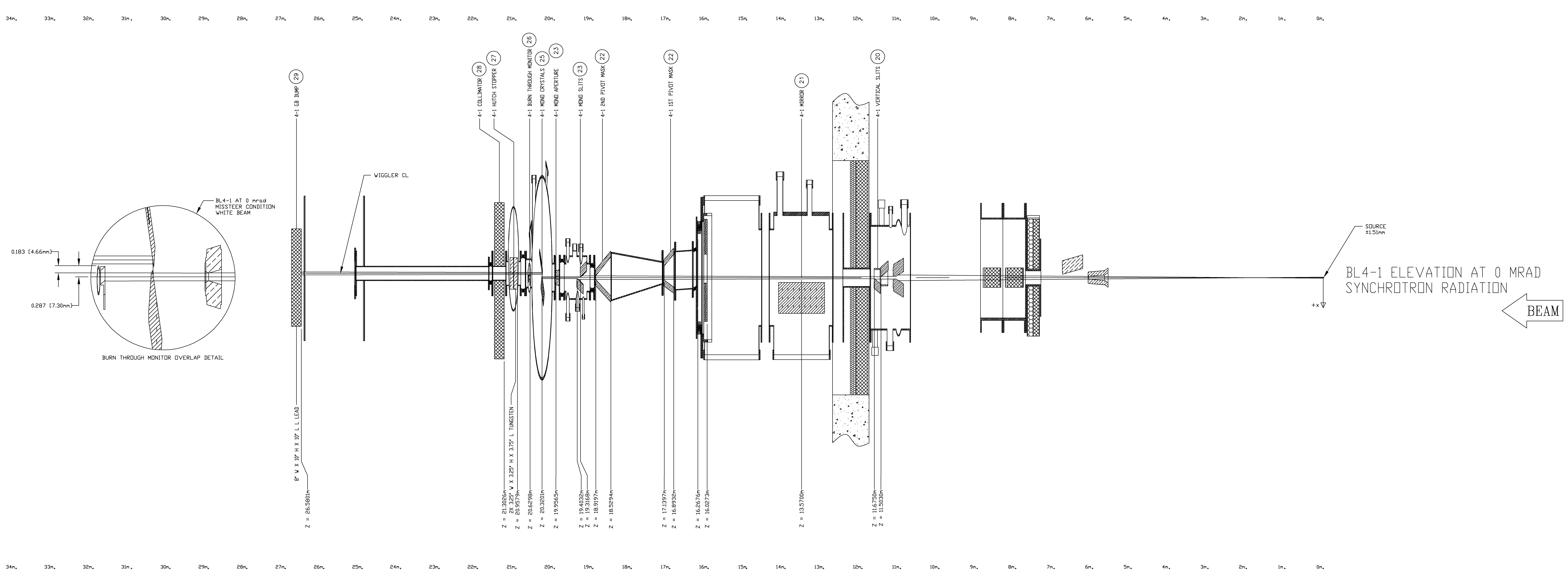


BEAM

BL4 PLAN VIEW
SCALE 1:40

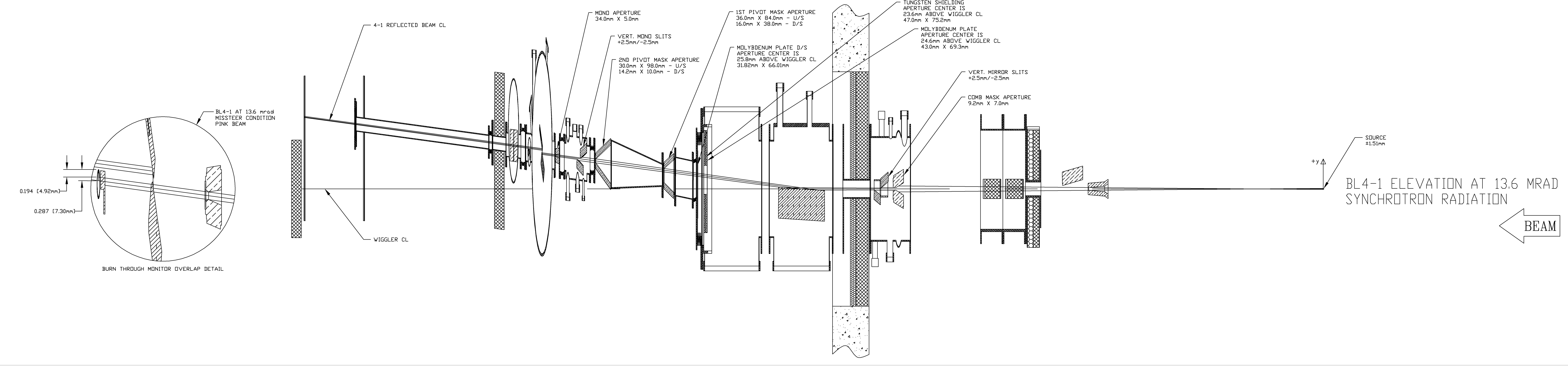
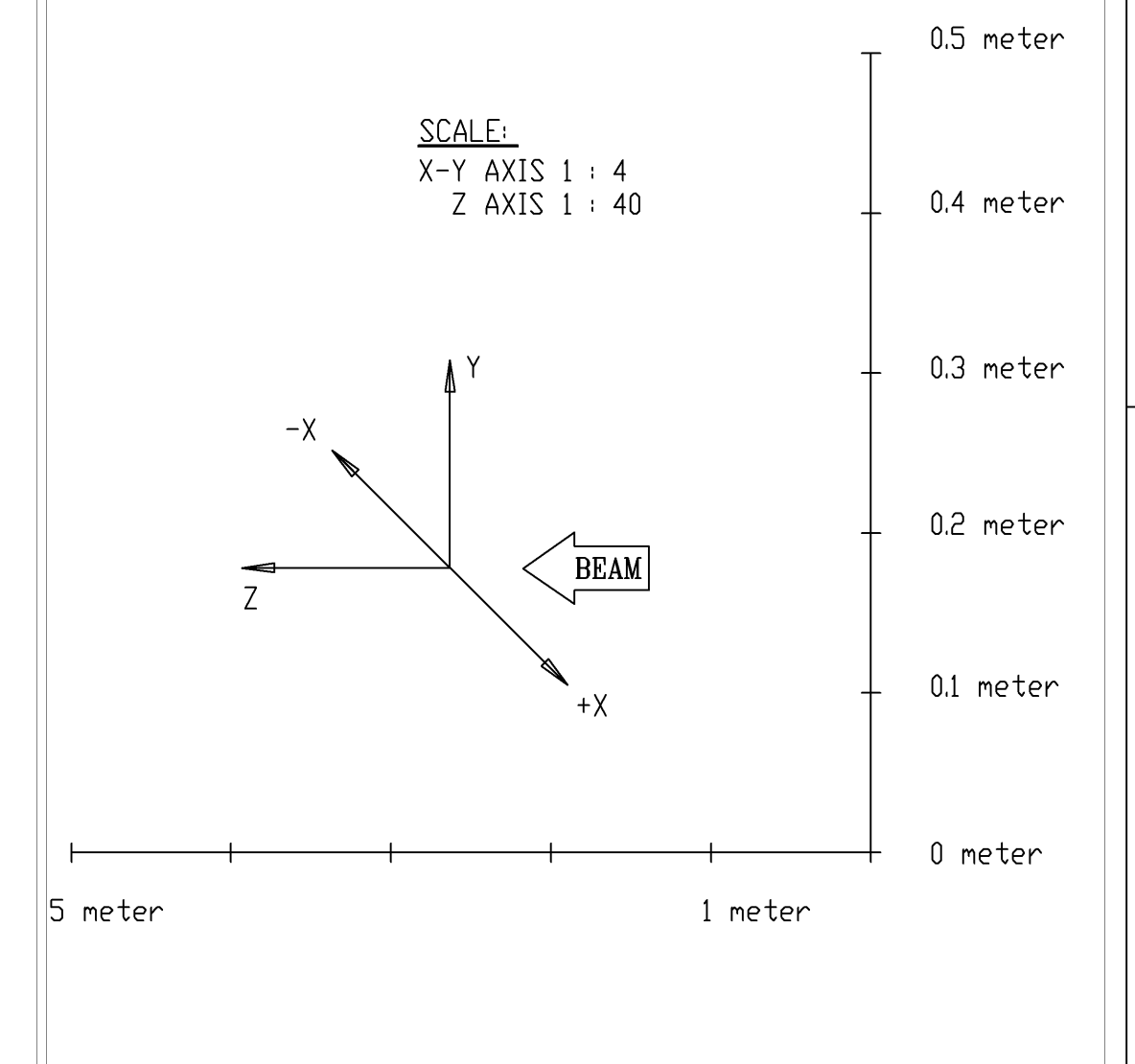
LEGEND

[Pattern]	LEAD
[Pattern]	COPPER/GLIDCOP
[Pattern]	BERYLLIUM
[Pattern]	CONCRETE
[Pattern]	STEEL
[Pattern]	HEAVY-MET
[Pattern]	SILICON/GLASS
[Pattern]	POLY



BEAM

BL4-1 ELEVATION AT 0 MRAD
SYNCHROTRON RADIATION

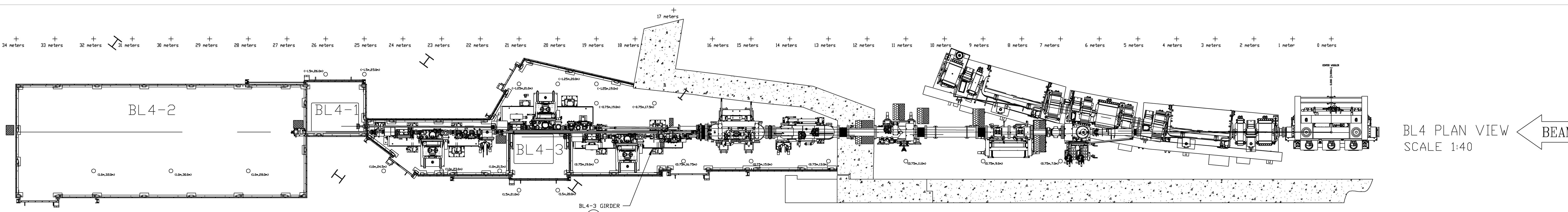


BEAM

BL4-1 ELEVATION AT 13.6 MRAD
SYNCHROTRON RADIATION

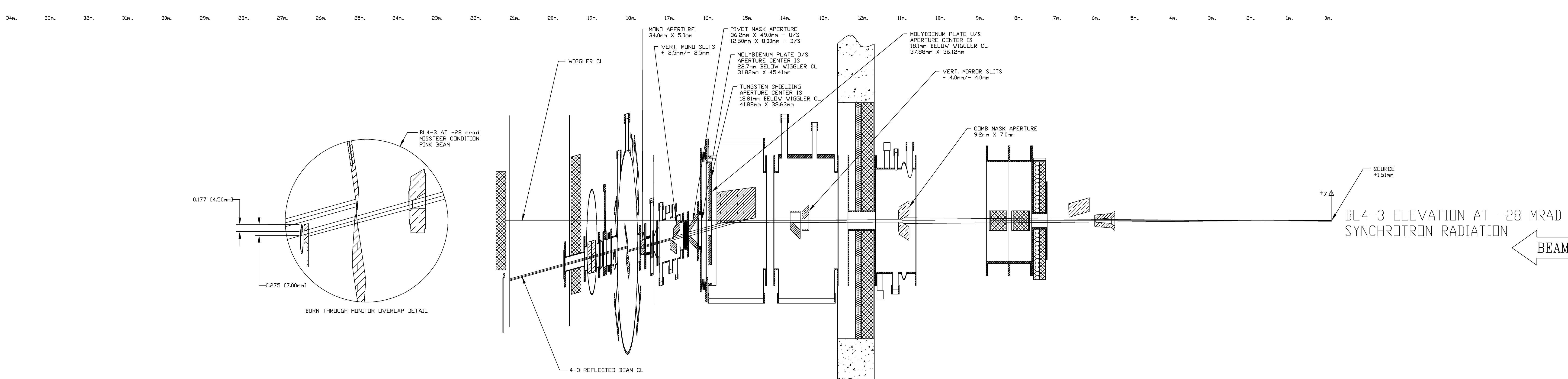
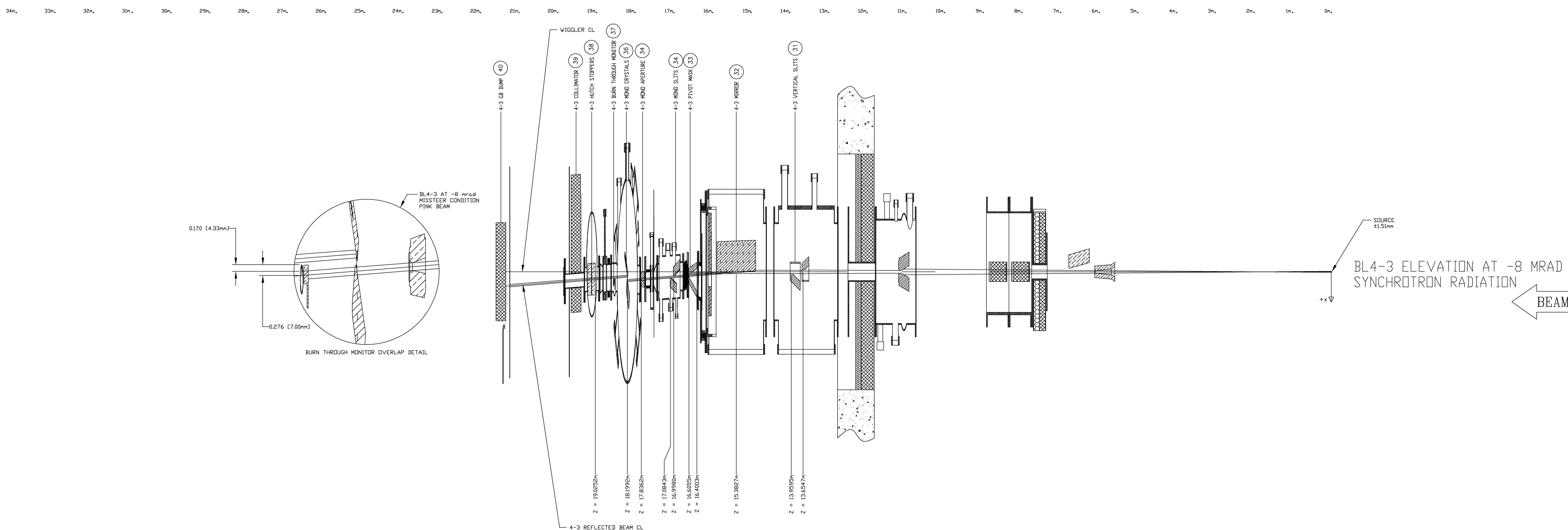
STANFORD SYNCHROTRON RADIATION LABORATORY <small>PROPRIETARY DATA OF STANFORD UNIVERSITY AND/OR U.S. DEPARTMENT ENERGY. RECIPIENT SHALL NOT PUBLISH THE INFORMATION WITHIN UNLESS GRANTED SPECIFIC PERMISSION OF STANFORD UNIVERSITY. SLAC STANFORD UNIVERSITY STANFORD, CALIFORNIA</small>	FILE NAME: gp-451-078-49-c3-s1.dwg SSRL BEAMLINE 4 GENERAL BL4 BL4 RAY TRACE
	UNLESS OTHERWISE NOTED DO NOT SCALE DRAWING DIMENSIONS IN: INCHES TOLERANCES: XXX ± 0.005 XX ± 0.01 X ± ANGLES ± ALL SURFACES: ✓
	DATE: 11/14/01 ENGR. J. BARNASCO DRFTS. WEAVER CHKD. WEAVER
	CODE: 2000 SCALE: AS SHOWN SHEET 2 OF 8 GP 451-078-49 C3

Next Assembly
NEXT ASSEMBLIES:



LEGEND

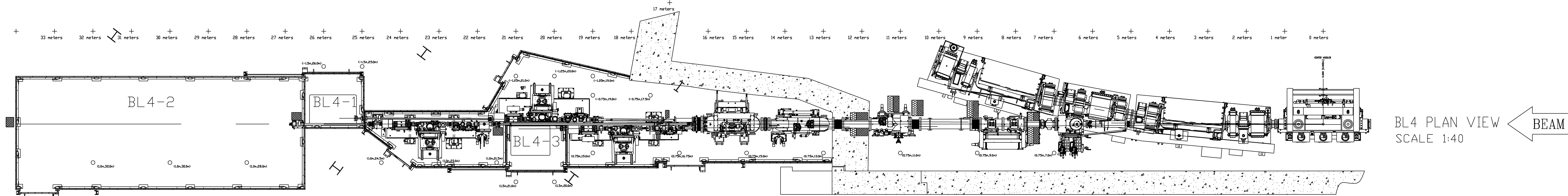
[Pattern]	LEAD
[Pattern]	COPPER/GLIDCOP
[Pattern]	BERYLLIUM
[Pattern]	CONCRETE
[Pattern]	STEEL
[Pattern]	HEAVY-MET
[Pattern]	SILICON/GLASS
[Pattern]	POLY



STANFORD SYNCHROTRON RADIATION LABORATORY <small>PROPRIETARY DATA OF STANFORD UNIVERSITY AND/OR U.S. DEPARTMENT OF ENERGY. RECIPIENT SHALL NOT PUBLISH THE INFORMATION WITHIN UNLESS GRANTED SPECIFIC PERMISSION OF STANFORD UNIVERSITY.</small> SLAC STANFORD UNIVERSITY STANFORD, CALIFORNIA UNLESS OTHERWISE NOTED DO NOT SCALE DRAWING DIMENSIONS IN: INCHES TOLERANCES: XXX ± 0.005 XX ± 0.01 X ± 0.02 ANGLES ± ALL SURFACES: ✓ Next Assembly NEXT ASSEMBLIES:	FILE NAME: gp-451-078-49-c3-s1.dwg SSRL BEAMLINE 4 GENERAL BL4 BL4 RAY TRACE CODE: 2000 SCALE: AS SHOWN SHEET 3 OF 8 GP 451-078-49 C3	
	DATE: 11/14/03 ENGR: J. BERNASCO DRFTS: WEAVER CHKD: L. ROSENBLUTH	
	M/F	
	1	

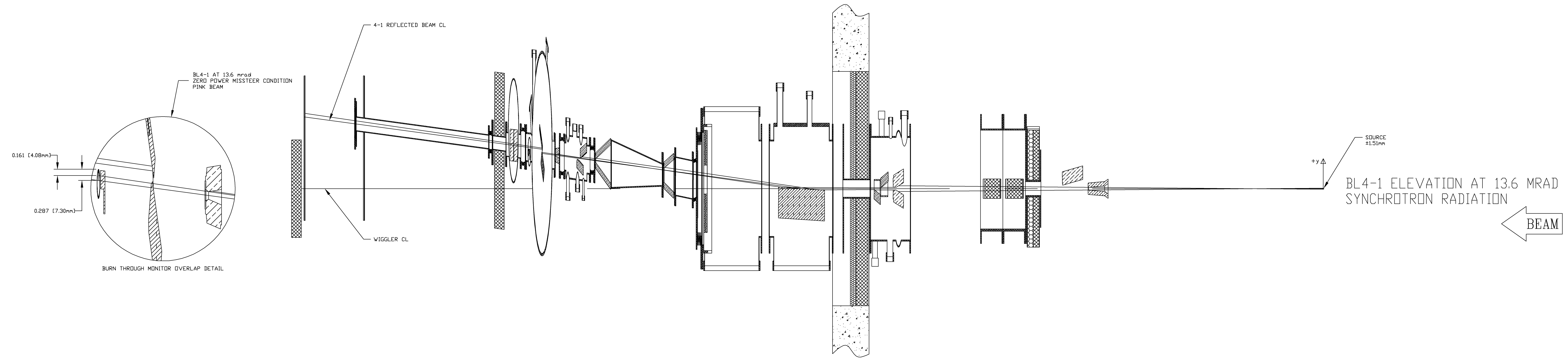
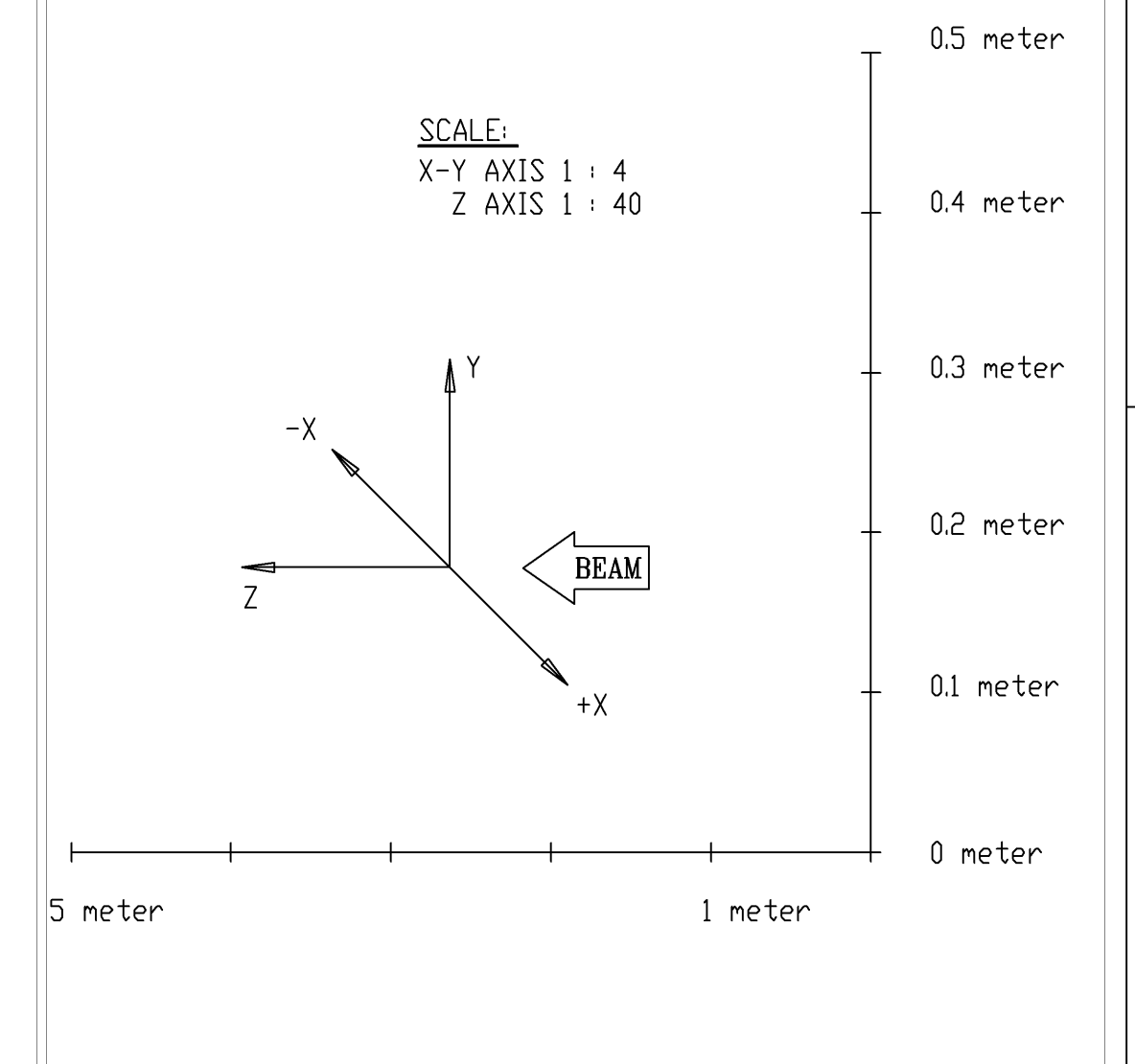
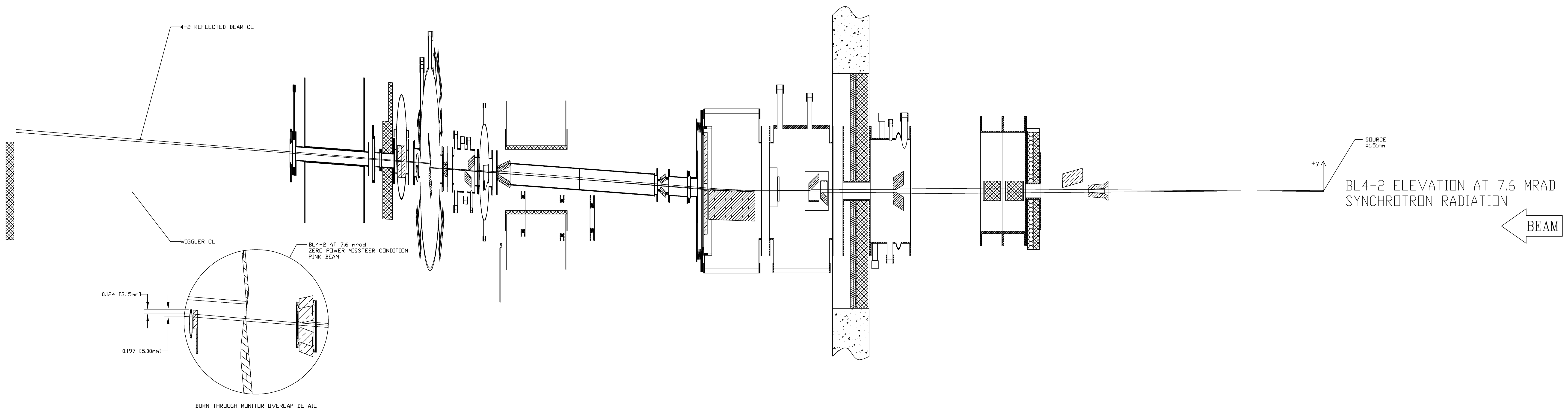
REV	DESCRIPTION	REVISIONS	DRAWN	CHECKED	APPROVED	DATE

SEE SHEET 1 FOR REVISION HISTORY



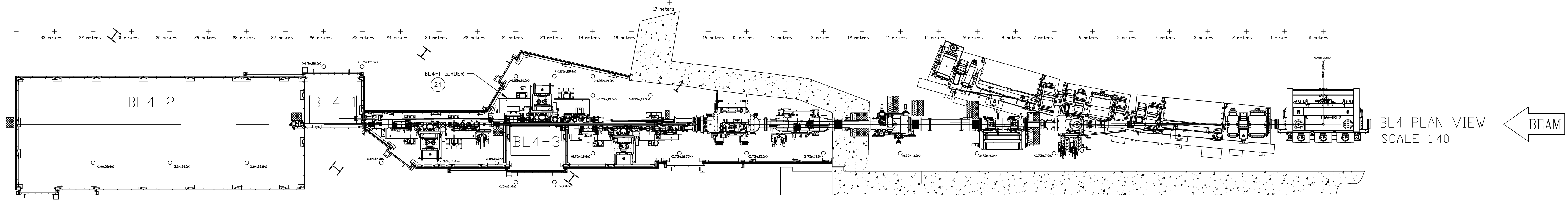
LEGEND

	LEAD
	COPPER/GLUDCOP
	BERYLLIUM
	CONCRETE
	STEEL
	HEAVY-MET
	SILICON/GLASS
	POLY



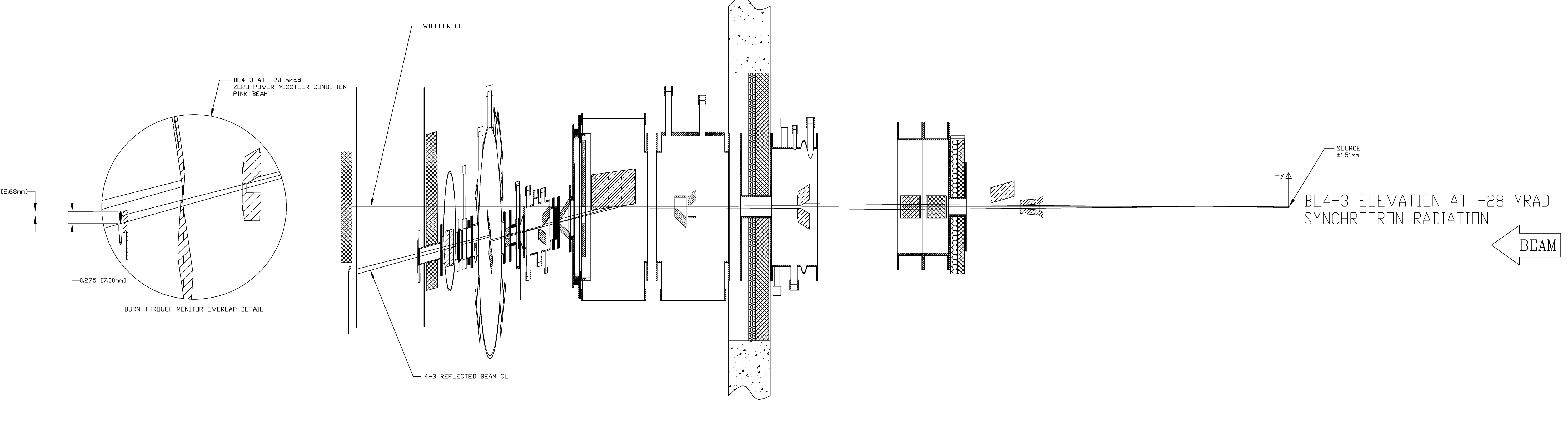
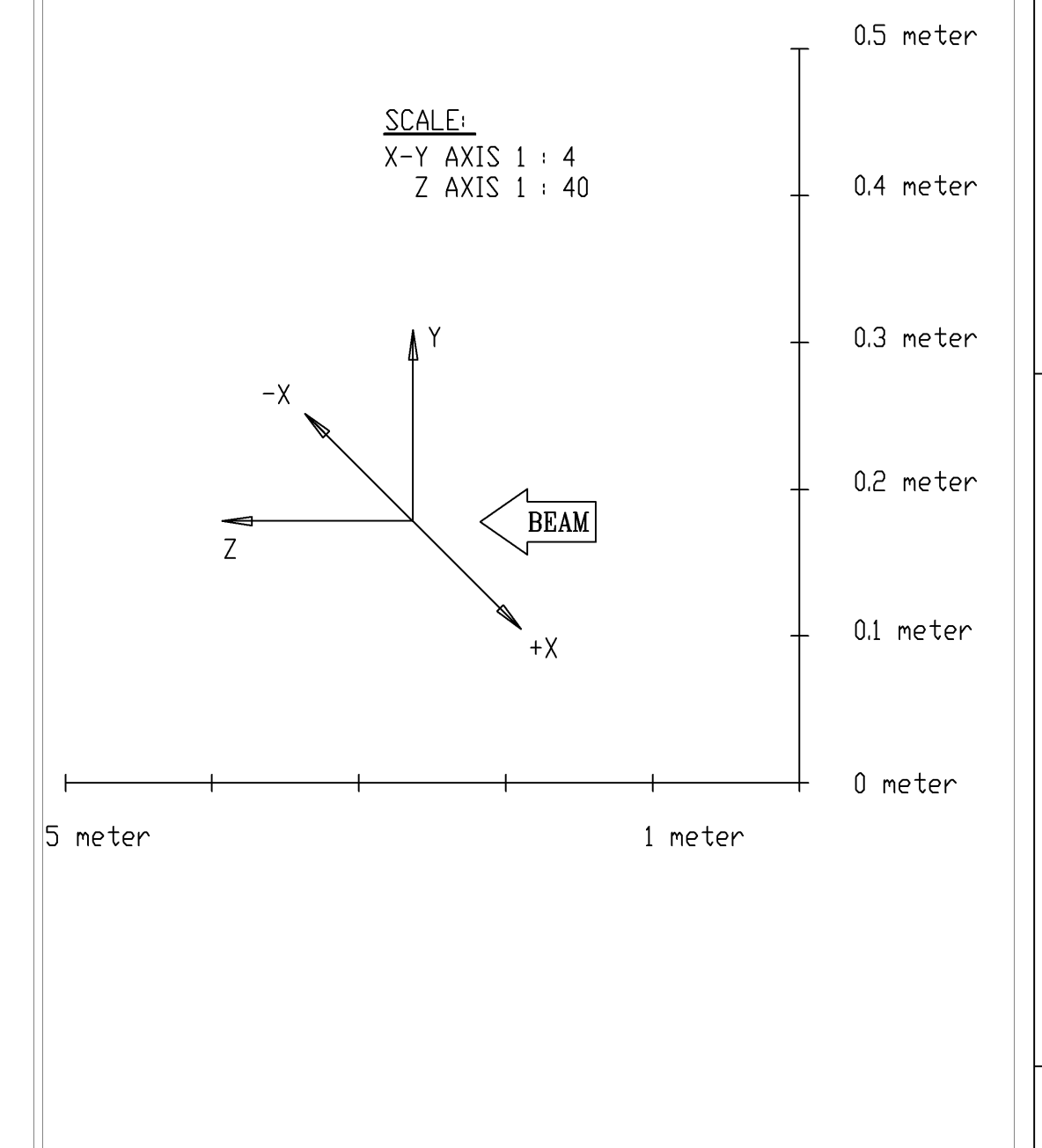
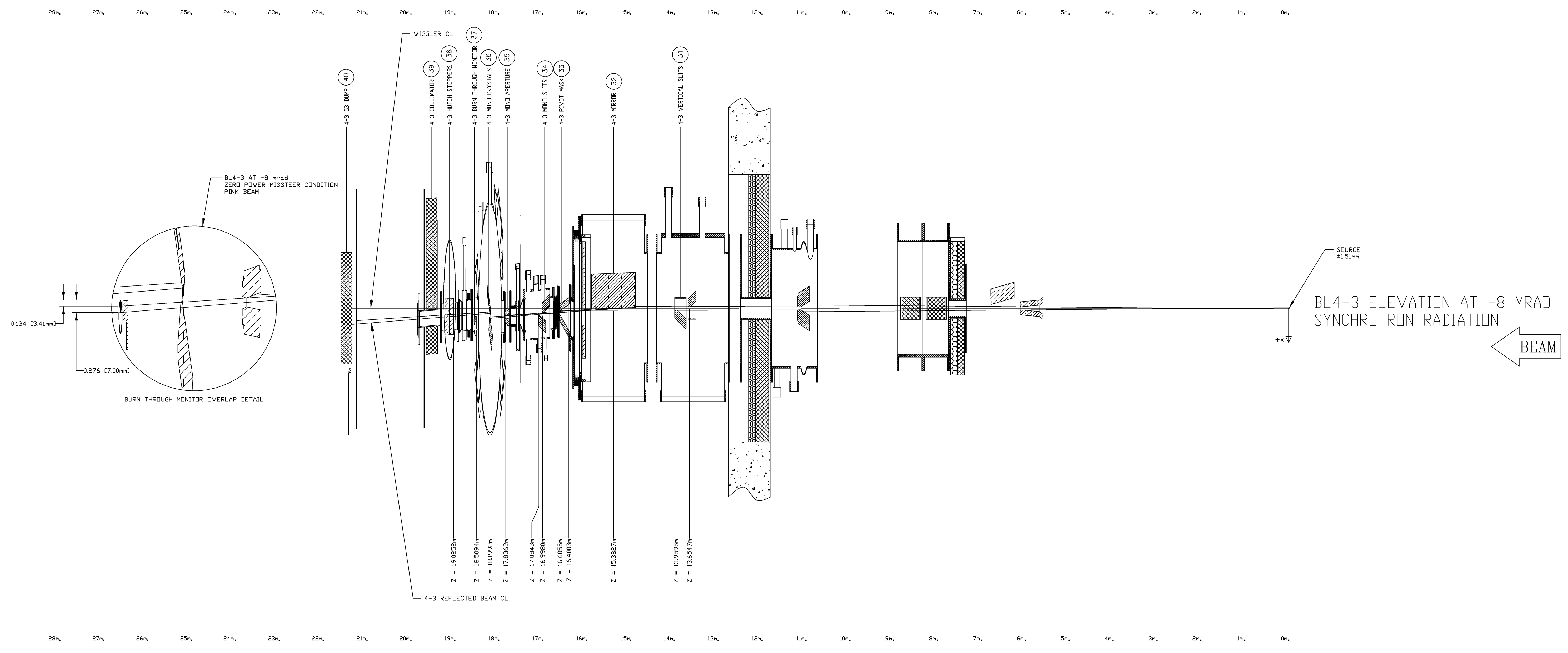
<p>STANFORD SYNCHROTRON RADIATION LABORATORY</p> <p>PROPRIETARY DATA OF STANFORD UNIVERSITY AND/OR U.S. DEPARTMENT OF ENERGY. RECIPIENT SHALL NOT PUBLISH THE INFORMATION WITHIN UNLESS GRANTED SPECIFIC PERMISSION BY STANFORD UNIVERSITY.</p> <p>SLAC STANFORD UNIVERSITY STANFORD, CALIFORNIA</p> <p>UNLESS OTHERWISE NOTED DO NOT SCALE DRAWING</p> <p>DIMENSIONS IN: INCHES TOLERANCES: XXX ± 0.005 XX ± 0.01 X ± 0.02 ANGLES ± ALL SURFACES: ✓</p> <p>DATE: 11/14/03 ENGR. J. BARNASCO DRFTS. WEAVER CHKD. [signature]</p>	<p>FILE NAME: gp-451-078-49-c3-s1.dwg</p> <p>SSRL BEAMLINE 4</p> <p>GENERAL</p> <p>BL4</p> <p>BL4 RAY TRACE</p> <p>CODE: 2000 SCALE: AS SHOWN SHEET 4 OF 8</p>
	<p>Next Assembly NEXT ASSEMBLIES:</p> <p>DOGR</p> <p>GP 451-078-49 C3</p>

REV	DESCRIPTION	REVISIONS	DRAWN	CHECKED	APPROVED	DATE
SEE SHEET 1 FOR REVISION HISTORY						



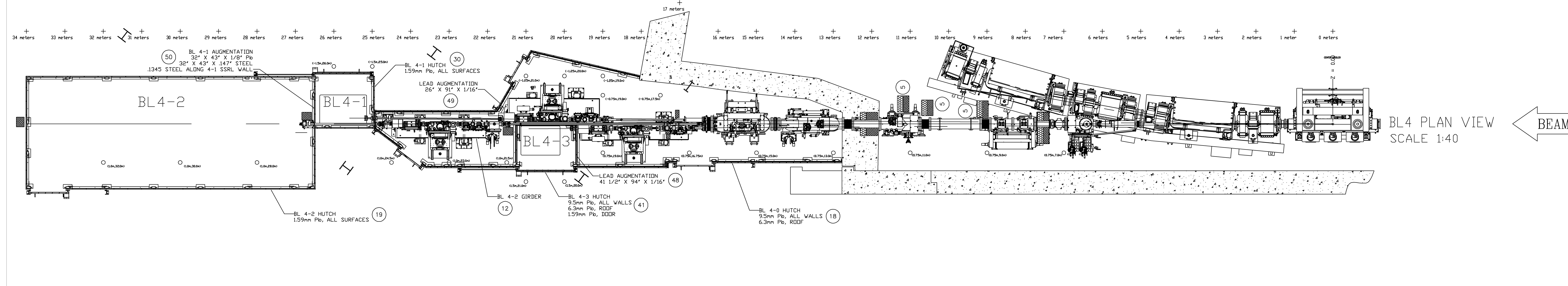
LEGEND

	LEAD
	COPPER/GLIDCOP
	BERYLLIUM
	CONCRETE
	STEEL
	HEAVY-MET
	SILICON/GLASS
	POLY



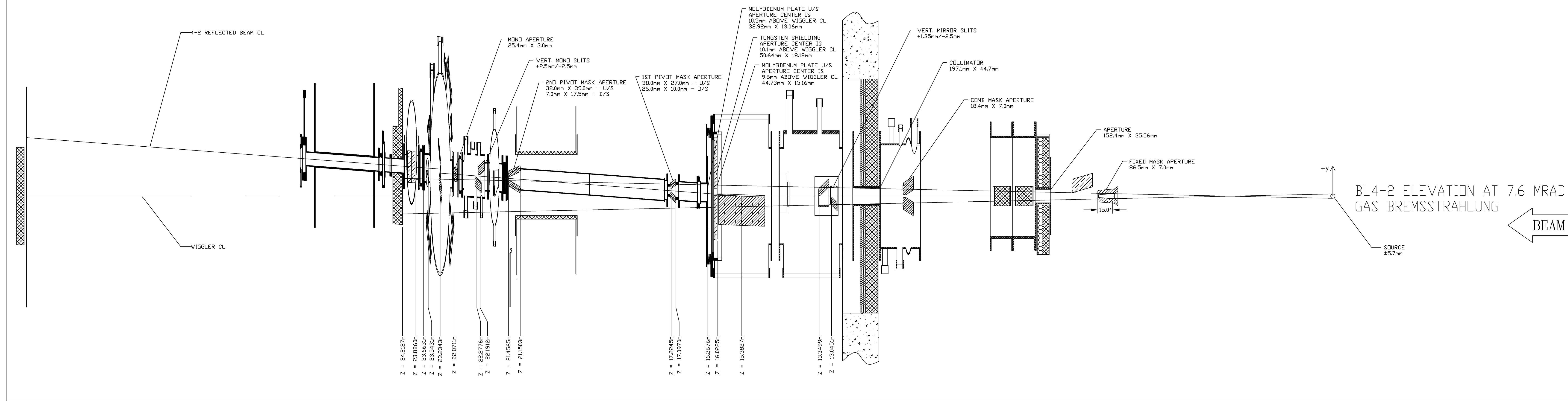
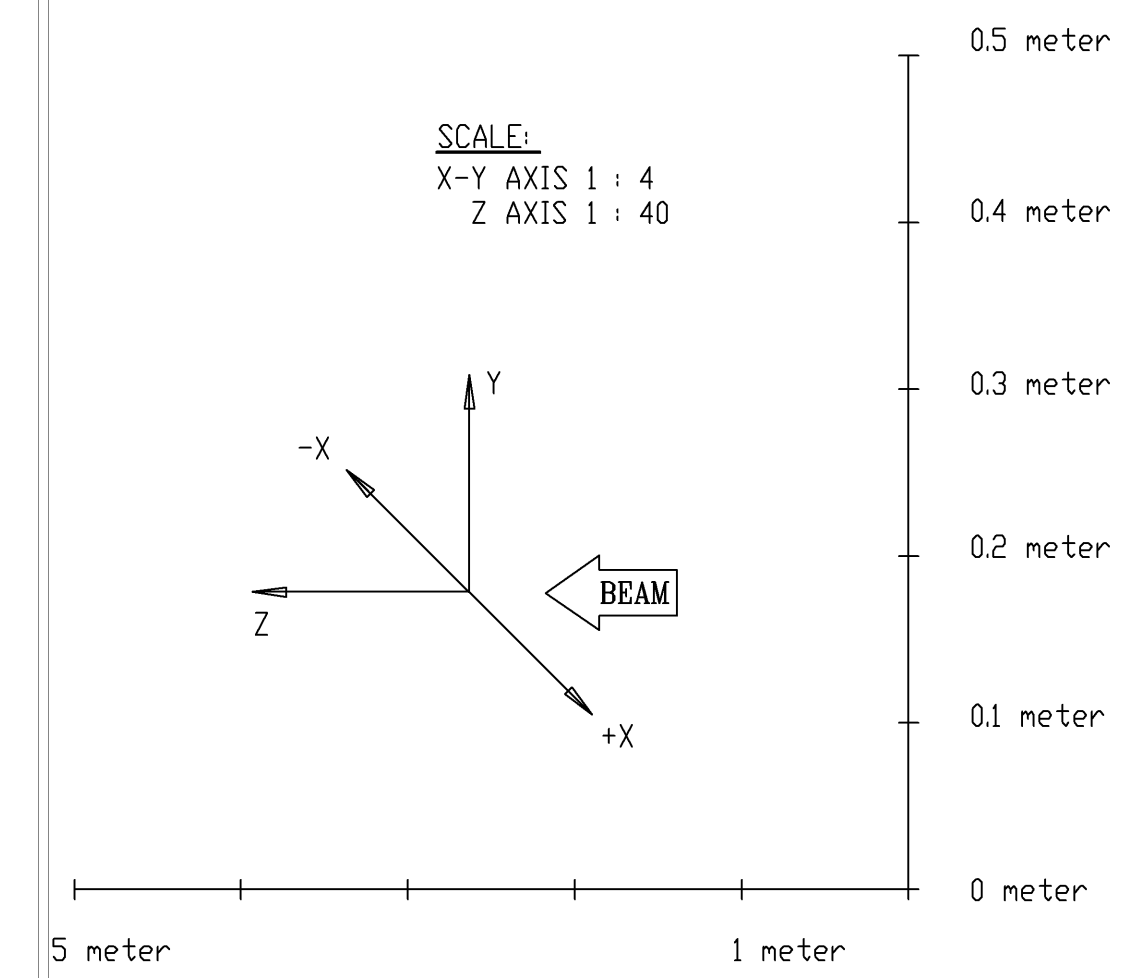
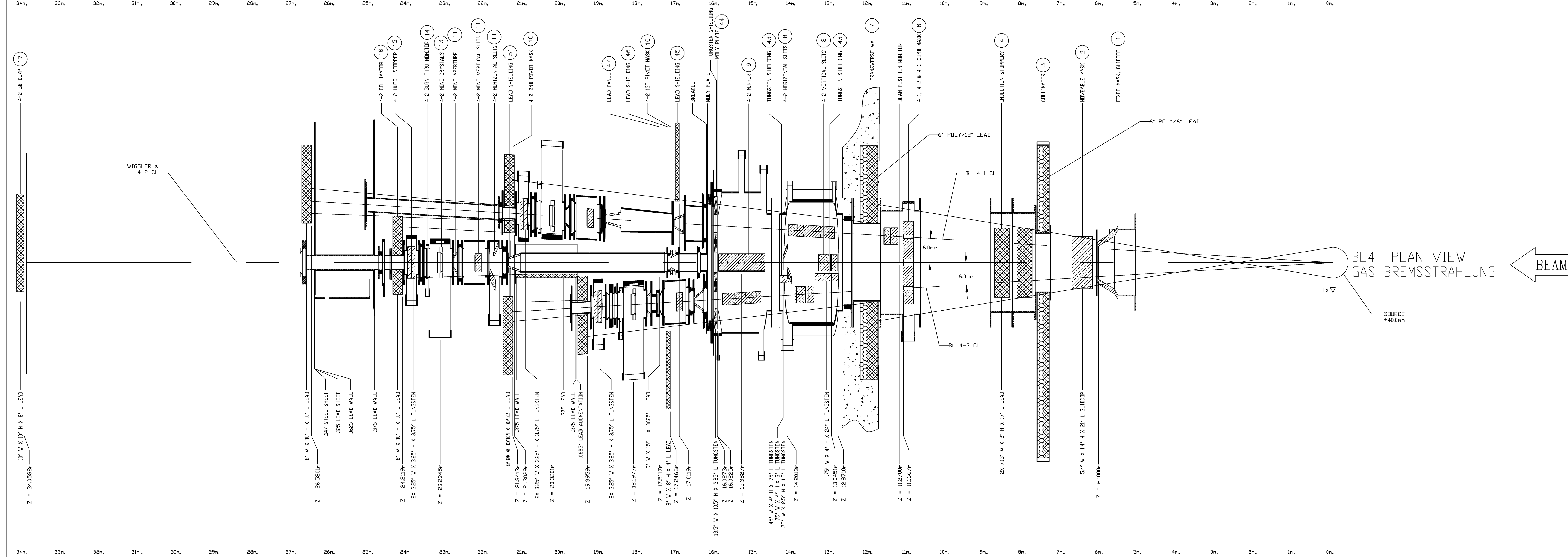
<p>STANFORD SYNCHROTRON RADIATION LABORATORY</p> <p>PROPRIETARY DATA OF STANFORD UNIVERSITY AND/OR U.S. DEPARTMENT OF ENERGY. RECIPIENT SHALL NOT PUBLISH THE INFORMATION WITHIN UNLESS GRANTED SPECIFIC PERMISSION OF STANFORD UNIVERSITY.</p> <p>SLAC STANFORD UNIVERSITY STANFORD, CALIFORNIA</p> <p>UNLESS OTHERWISE NOTED DO NOT SCALE DRAWING</p> <p>DIMENSIONS IN: INCHES</p> <p>TOLERANCES:</p> <p>XXX ± 0.005</p> <p>XX ± 0.01</p> <p>X ±</p> <p>ANGLES ±</p> <p>ALL SURFACES: ✓</p>	<p>FILE NAME: gp-451-078-49-c3-s1.dwg</p> <p>SSRL BEAMLINE 4</p> <p>GENERAL</p> <p>BL4</p> <p>BL4 RAY TRACE</p> <p>CODE: 2000 SCALE: AS SHOWN SHEET 5 OF 8</p>	
	<p>DATE: 11-11-99</p> <p>ENGR. J. BARNASCO</p> <p>DRAFTS: WEAVER</p> <p>CHKD. C. BARNASCO</p>	<p>GP 451-078-49 C3</p>
	<p>Next Assembly NEXT ASSEMBLIES:</p>	<p>8 M/F</p>
	<p>1</p>	<p>E</p>

REV	DESCRIPTION	DRAWN	CHECKED	APPROVED	DATE
SEE SHEET 1 FOR REVISION HISTORY					

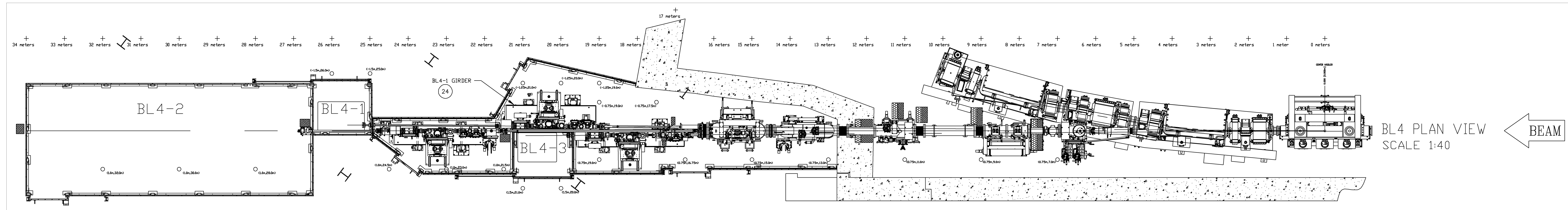


LEGEND

	LEAD
	COPPER/GLIDCOP
	BERYLLIUM
	CONCRETE
	STEEL
	HEAVY-MET
	SILICON/GLASS
	POLY

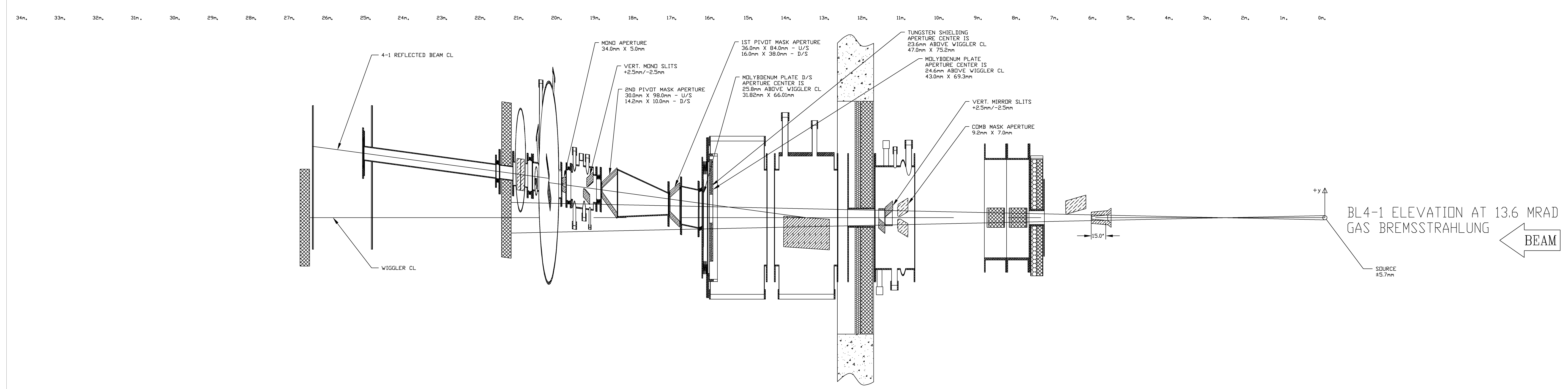
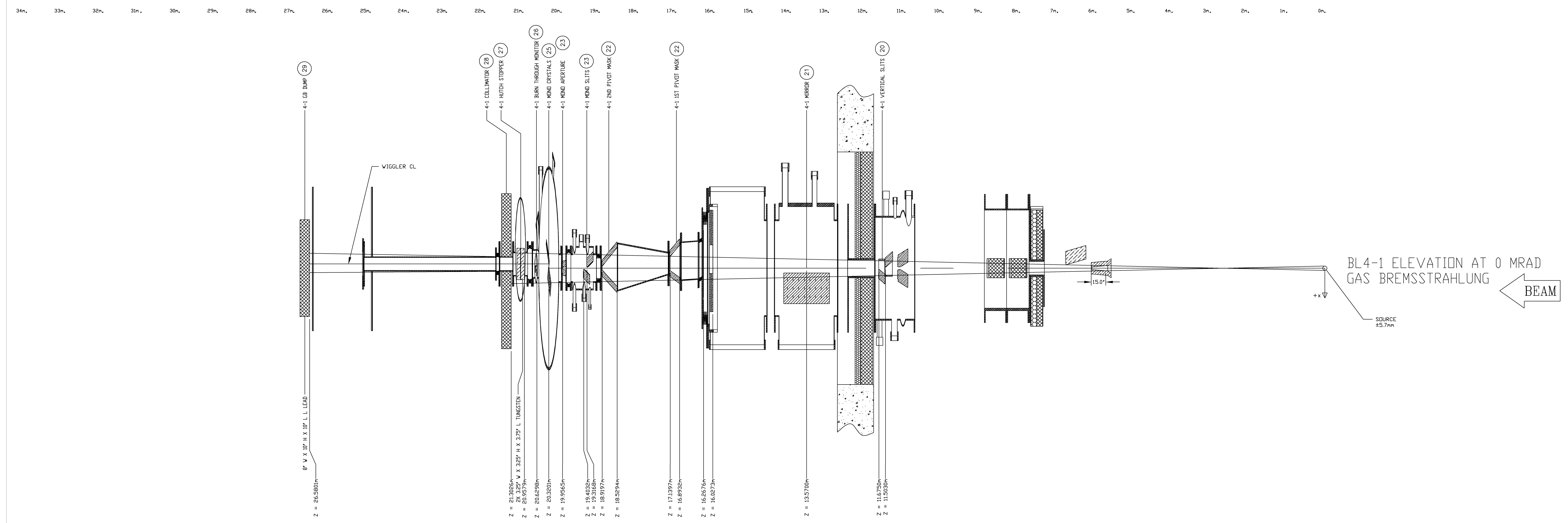


<p>STANFORD SYNCHROTRON RADIATION LABORATORY</p> <p>PROPRIETARY DATA OF STANFORD UNIVERSITY AND/OR U.S. DEPARTMENT OF ENERGY. RECIPIENT SHALL NOT PUBLISH THE INFORMATION WITHIN UNLESS GRANTED SPECIFIC PERMISSION OF STANFORD UNIVERSITY.</p> <p>SLAC STANFORD UNIVERSITY STANFORD, CALIFORNIA</p> <p>UNLESS OTHERWISE NOTED DIMENSIONS IN: INCHES TOLERANCES: XXX ± 0.05 XX ± 0.1 X ± 0.2 ANGLES ± ALL SURFACES: ✓</p> <p>DO NOT SCALE DRAWING</p> <p>DATE: 11/14/01 ENGR. J. BARNASCO DRFTS. WEAVER CHKD. L. BARNASCO</p>	<p>FILE NAME: gp-451-078-49-c3-s1.dwg</p> <p>SSRL BEAMLINE 4</p> <p>GENERAL</p> <p>BL4</p> <p>BL4 RAY TRACE</p> <p>CODE: 2000 SCALE: AS SHOWN SHEET 6 OF 8</p>	
	<p>Next Assembly NEXT ASSEMBLIES:</p>	<p>GP 451-078-49 C3</p>
	<p>M/F</p>	<p>1</p>
	<p>8</p>	<p>7</p>



LEGEND

[Pattern]	LEAD
[Pattern]	COPPER/GLIDCOP
[Pattern]	BERYLLIUM
[Pattern]	CONCRETE
[Pattern]	STEEL
[Pattern]	HEAVY-MET
[Pattern]	SILICON/GLASS
[Pattern]	POLY

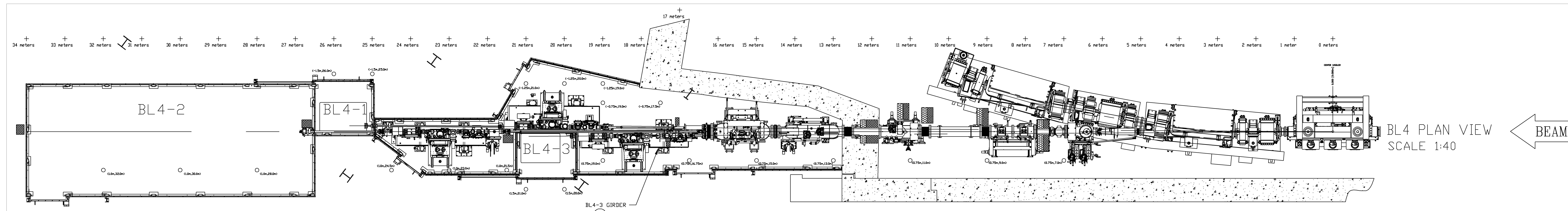


STANFORD SYNCHROTRON RADIATION LABORATORY
 SSRL BEAMLINE 4
 GENERAL
 BL4
 BL4 RAY TRACE
 CODE: 2000 SCALE: AS SHOWN SHEET 7 OF 8
 GP 451-078-49 C3

FILE NAME: gp-451-078-49-c3-s1.dwg
 DATE: 11/14/00
 ENGR: J. BANASCO
 DRAFTS: WEAVER
 CHKD: [Signature]

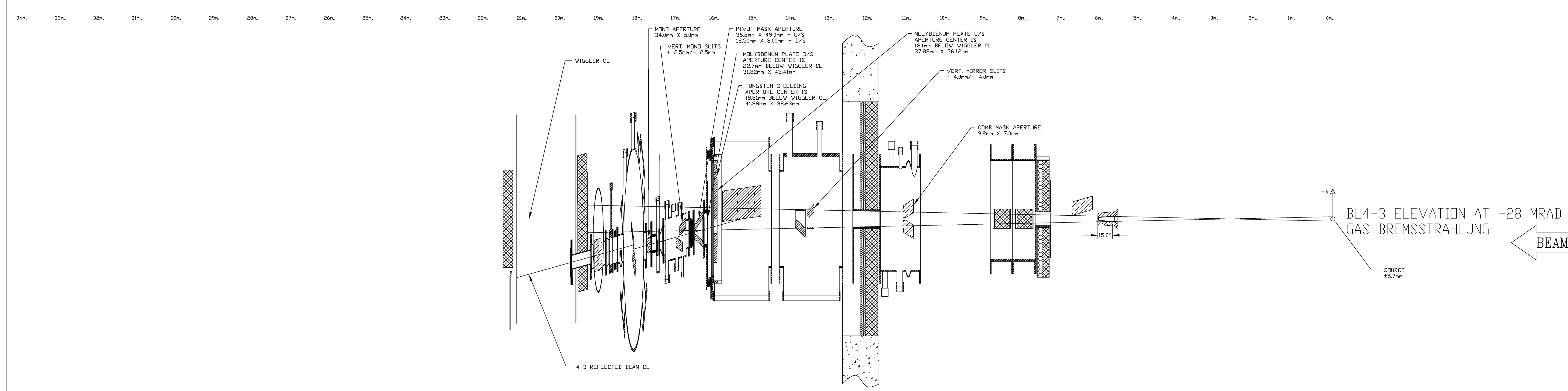
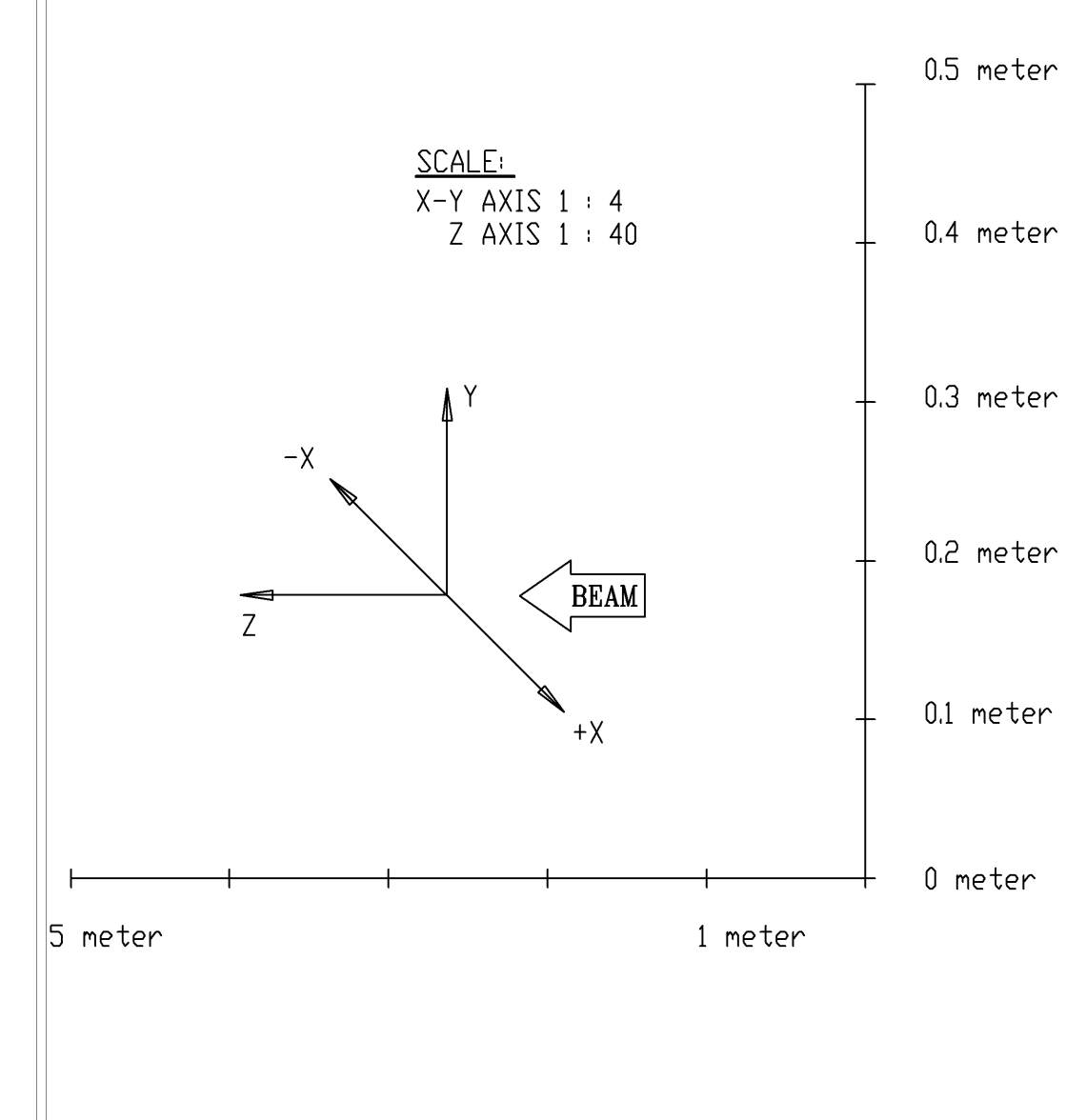
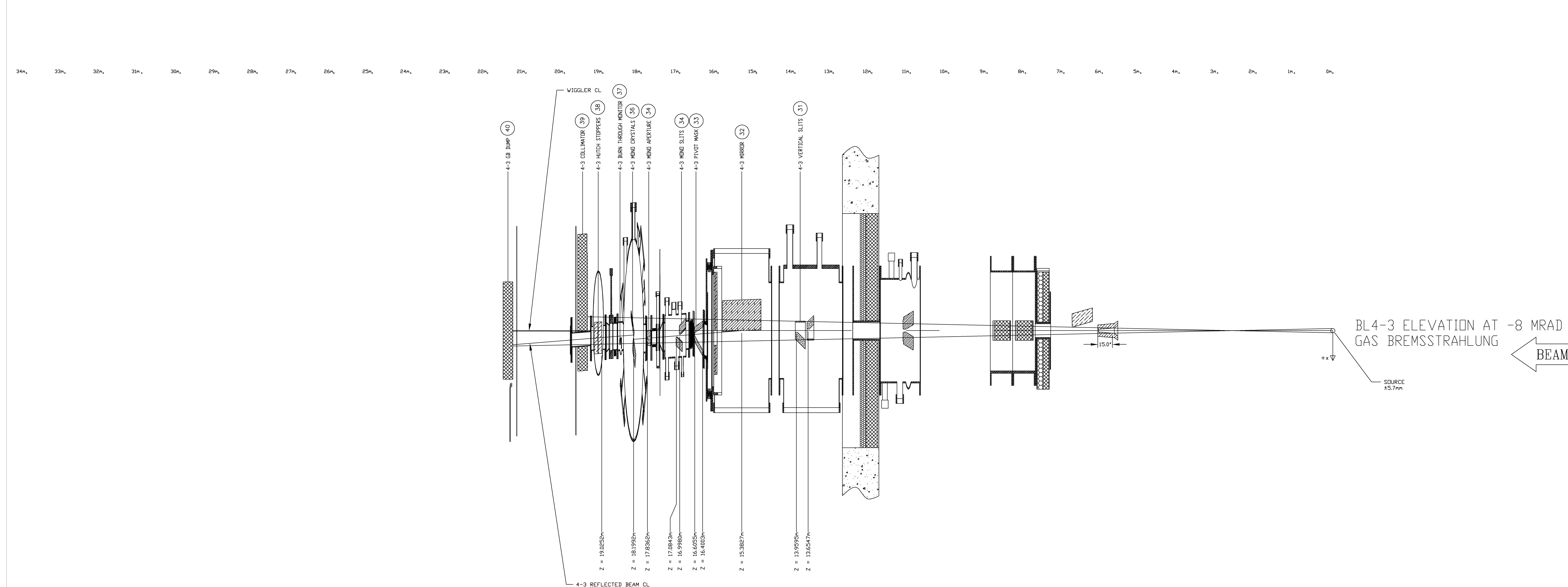
UNLESS OTHERWISE NOTED DO NOT SCALE DRAWING
 DIMENSIONS IN: INCHES
 TOLERANCES:
 XXX ± 0.05
 XX ± 0.1
 X ± 0.2
 ANGLES ±
 ALL SURFACES: ✓

Next Assembly
 NEXT ASSEMBLIES:



LEGEND

[Pattern]	LEAD
[Pattern]	COPPER/GLIDCOP
[Pattern]	BERYLLIUM
[Pattern]	CONCRETE
[Pattern]	STEEL
[Pattern]	HEAVY-MET
[Pattern]	SILICON/GLASS
[Pattern]	POLY



STANFORD SYNCHROTRON RADIATION LABORATORY
 PROPRIETARY DATA OF STANFORD UNIVERSITY AND/OR U.S. DEPARTMENT OF ENERGY. RECIPIENT SHALL NOT PUBLISH THE INFORMATION WITHIN UNLESS GRANTED SPECIFIC PERMISSION OF STANFORD UNIVERSITY.
 SLAC STANFORD UNIVERSITY STANFORD, CALIFORNIA

FILE NAME: gp-451-078-49-c3-s1.dwg
 SSRL BEAMLINE 4
 GENERAL
 BL4
 BL4 RAY TRACE
 CODE: 2000 SCALE: AS SHOWN SHEET 8 OF 8
 GP 451-078-49 C3

UNLESS OTHERWISE NOTED DO NOT SCALE DRAWING
 DIMENSIONS IN: INCHES
 TOLERANCES:
 XXX ± 0.05
 XX ± 0.1
 X ± 0.2
 ANGLES ±
 ALL SURFACES: ✓
 DATE: 11-14-00
 ENGR. J. BARNASCO
 DRFTS. WEAVER
 CHKD. C. BARNASCO

Next Assembly NEXT ASSEMBLIES: M/F